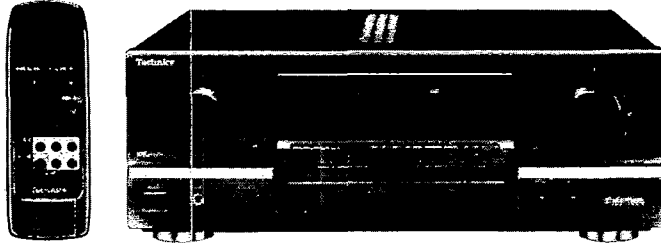


Service Manual

AV Control Stereo Receiver

Receiver

SA-GX670



Colour

(K) ... Black Type

Areas

Suffix for Model No.	Area	Colour
(E)	Europe.	(K)
(EB)	Great Britain.	
(EG)	Germany and Italy.	
(G)	Asia, Latin America, Middle Near East and Africa.	
(GN)	Oceania.	

SPECIFICATIONS (DIN 45 500)

■ AMPLIFIER SECTION

Power output (at 240 V)	
DIN 1 kHz (T.H.D. 1%)	
[For (E, EB, EG) areas.]	2 × 100 W (4 Ω)
[For (G, GN) areas.]	2 × 110 W (8 Ω)
20 Hz–20 kHz continuous power output both channels driven	
[For (E, EB, EG) areas.]	2 × 65 W (8 Ω)
[For (G, GN) areas.]	2 × 90 W (8 Ω)
Total harmonic distortion	
rated power at 20 Hz–20 kHz	0.05% (8 Ω)
half power at 1 kHz	0.03% (8 Ω)
Power output at the Dolby Pro Logic operation	
DIN 1 kHz (T.H.D. 1%)	
Front [For (E, EB, EG) areas.]	2 × 60 W (4 Ω)
[For (G, GN) areas.]	2 × 60 W (8 Ω)
Center [For (E, EB, EG) areas.]	60 W (4 Ω)
[For (G, GN) areas.]	60 W (8 Ω)
Rear [For (E, EB, EG) areas.]	30 W (4 Ω)
[For (G, GN) areas.]	60 W (8 Ω)
Intermodulation distortion	
rated power at 60 Hz: 7 kHz=4:1, SMPTE	0.5% (8 Ω)
Power bandwidth	
both channels driven, -3 dB	10 Hz–40 kHz (8 Ω)
Damping factor	40 (8 Ω)
Input sensitivity and impedance	
PHONO	3 mV/47 kΩ
CD, VCR 1, VCR 2, TAPE/DCC	200 mV/22 kΩ
S/N at rated power (8 Ω)	
PHONO	70 dB (IHF, A: 80 dB)
CD, VCR 1, VCR 2, TAPE/DCC	75 dB (IHF, A: 88 dB)
Frequency response	
PHONO	RIAA standard curve
	(30 Hz–15 kHz) ± 0.8 dB
CD, VCR 1, VCR 2, TAPE/DCC	10 Hz–40 kHz, ± 3 dB
Tone controls	
BASS	50 Hz, +10 to -10 dB
TREBLE	20 kHz, +10 to -10 dB

Output voltage

VCR 1 OUT, TAPE/DCC REC (OUT)	200 mV
Channel balance (250 Hz–6.3 kHz)	± 1 dB
Channel separation	55 dB
Headphones output level and impedance	430 mV/330 Ω
Load impedance	
A or B [For (E, EB, EG) areas.]	4–16 Ω
[For (G, GN) areas.]	8–16 Ω
A and B	8–16 Ω

■ FM TUNER SECTION

Frequency range	87.50–108.00 MHz
Sensitivity	
S/N 30 dB	1.5 μV/75 Ω
S/N 26 dB	1.3 μV/75 Ω
S/N 20 dB	1.2 μV/75 Ω
IHF usable sensitivity	(IHF '58) 1.5 μV/75 Ω
IHF 46 dB stereo quieting sensitivity	22 μV/75 Ω
Total harmonic distortion	
MONO	0.2%
STEREO	0.3%
S/N	
MONO	60 dB (75 dB, IHF)
STEREO	58 dB (71 dB, IHF)
Frequency response	20 Hz–15 kHz, +1 dB, -2 dB
Alternate channel selectivity	
± 400 kHz	65 dB
Capture ratio	1 dB
Image rejection at 98 MHz	40 dB
IF rejection at 98 MHz	70 dB
Spurious response rejection at 98 MHz	70 dB
AM suppression	50 dB
Stereo separation	
1 kHz	40 dB
Carrier leak	
19 kHz	-30 dB (-35 dB, IHF)
38 kHz	-50 dB (-55 dB, IHF)
Channel balance (250 Hz–6.3 kHz)	± 1.5 dB
Limiting point	1.2 μV

Technics®

Bandwidth	
IF amplifier	180 kHz
FM demodulator	1000 kHz
Antenna terminal(s)	75 Ω (unbalanced)

AM TUNER SECTION

• For (E, EB, G, GN) areas.

Frequency range	
MW	522–1611 kHz (9 kHz steps)
	530–1620 kHz (10 kHz steps)
LW	144–288 kHz

Sensitivity	
MW	20 μV, 330 μV/m
LW	45 μV

Selectivity	
MW (at 999 kHz)	55 dB
LW (at 252 kHz)	55 dB

Image rejection	
MW (at 999 kHz)	40 dB
LW (at 252 kHz)	40 dB

IF rejection	
MW (at 999 kHz)	55 dB
LW (at 252 kHz)	55 dB

• For (EG) area.	
Frequency range	522–1611 kHz (9 kHz steps)
	530–1620 kHz (10 kHz steps)

Selectivity (S/N 20 dB)	20 μV, 330 μV/m
Selectivity at 999 kHz	55 dB
Image rejection at 999 kHz	40 dB
IF rejection at 999 kHz	55 dB

VIDEO SECTION

Output voltage at 1 V input (unbalanced)	1 ± 0.1 Vp-p
Maximum input voltage	1.5 Vp-p
Input/output impedance	75 Ω (unbalanced)

GENERAL

Power consumption	
[For (E, EB, GN) areas.]	230 W
[For (EG) area.]	230 W
[For (G) area.]	250 W

Power supply	
[For (E, EB, EG, GN) areas.]	AC 50/60 Hz, 230–240 V
[For (G) area.]	AC 50/60 Hz, 110–127 V/220–240 V

Dimensions (W × H × D)	430 × 158 × 352 mm
Weight	9.5 kg

REMOTE CONTROL TRANSMITTER

Control keys	
[For (E, EB, EG) areas.]	38 keys
[For (G, GN) areas.]	53 keys

Dimensions (W × H × D)	
[For (E, EB, EG) areas.]	62 × 27 × 175 mm
[For (G, GN) areas.]	70 × 28 × 215 mm

Weight (including batteries)	
[For (E, EB, EG) areas.]	106 g (3.2 oz)
[For (G, GN) areas.]	160 g (4.8 oz)

Power source	Two UM-4/AAA
	(Panasonic R03/LR03 or equivalent)

Notes:

- Design and specifications are subject to change without notice. Weight and dimensions are approximate.
- Total harmonic distortions is measured by the digital spectrum analyzer.

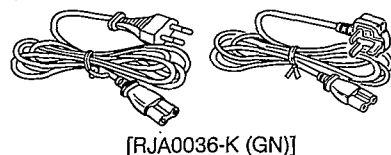
CONTENTS

	Page
ACCESSORIES	2
CAUTIONS FOR AC MAINS LEAD.....	3
PROTECTION CIRCUITRY.....	3
FRONT PANEL CONTROLS.....	4
EQUIPMENT CONNECTIONS.....	5, 6
REMOTE CONTROL OPERATION.....	7
BEFORE REPAIR AND ADJUSTMENT.....	7
OPERATION CHECKS AND MAIN COMPONENT	
REPLACEMENT PROCEDURE.....	8~11
FAN MOTOR TROUBLESHOOTING GUIDE.....	12

	Page
BLOCK DIAGRAM.....	13~16
SCHEMATIC DIAGRAM.....	17~32
PRINTED CIRCUIT BAORDS.....	33~38
WIRING CONNECTION DIAGRAM.....	39
TERMINAL FUNCTION OF IC.....	40
CABINET PARTS LOCATION.....	41, 42
REPLACEMENT PARTS LIST.....	43~46, 50
RESISTORS AND CAPACITORS.....	46~49
PACKAGING.....	50

ACCESSORIES

AC power supply cord..... 1 pc.
 [RJA0019-2K [VJA0733 (EB)]
 (E, EG, G)]



FM indoor antenna..... 1 pc.
 (RSA0007)

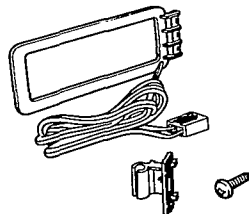


Attachment plug..... 1 pc.
 [SJP9009 (EB)]



AM loop antenna set..... 1 pc.
 (RSA0010)

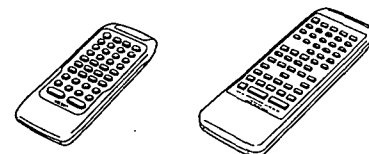
- AM antenna holder..... 1 pc. (RMN0244)
- Screw..... 1 pc. (XTN3+10AFZ)



Power plug adaptor..... 1 pc.
 [SJP5213-1 (G)]



Remote control transmitter..... 1 pc.
 [RAK-SA114XH [RAK-SA704XH
 (E, EB, EG)] (G, GN)]

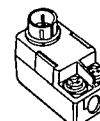


Batteries for remote control transmitter..... 2 pcs.
 ("AAA", R03)



Note: These are available on sale route.

Antenna plug..... 1 pc.
 [RFE0014 (G, GN)]





■ CAUTIONS FOR AC MAINS LEAD

("EB" area code model only)

For your safety, please read the following text carefully.

This appliance is supplied with a moulded three pin mains plug for your safety and convenience.

A 5-ampere fuse is fitted in this plug.

Should the fuse need to be replaced please ensure that the replacement fuse has a rating of 5-ampere and that it is approved by ASTA or BSI to BS1362. Check for the ASTA mark  or the BSI mark  on the body of the fuse.

If the plug contains a removable fuse cover you must ensure that it is refitted when the fuse is replaced.

If you lose the fuse cover the plug must not be used until a replacement cover is obtained.

A replacement fuse cover can be purchased from your local dealer.

CAUTION!

IF THE FITTED MOULDED PLUG IS UNSUITABLE FOR THE SOCKET OUTLET IN YOUR HOME THEN THE FUSE SHOULD BE REMOVED AND THE PLUG CUT OFF AND DISPOSED OF SAFELY.

THERE IS A DANGER OF SEVERE ELECTRICAL SHOCK IF THE CUT OFF PLUG IS INSERTED INTO ANY 13-AMPERE SOCKET.

If a new plug is to be fitted please observe the wiring code as shown below.

If in any doubt please consult a qualified electrician.

IMPORTANT

The wires in this mains lead are coloured in accordance with the following code:

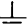
Blue: Neutral

Brown: Live

As the colours of the wires in the mains lead of this appliance may not correspond with the coloured markings identifying the terminals in your plug, proceed as follows:

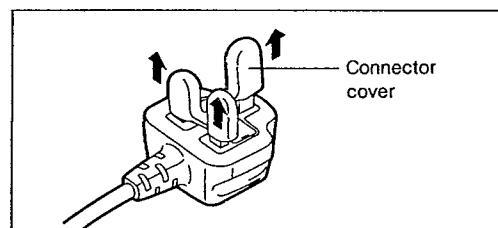
The wire which is coloured BLUE must be connected to the terminal in the plug which is marked with the letter N or coloured BLACK.

The wire which is coloured BROWN must be connected to the terminal in the plug which is marked with the letter L or coloured RED.

Under no circumstances should either of these wires be connected to the earth terminal of the three pin plug, marked with the letter E or the Earth Symbol .

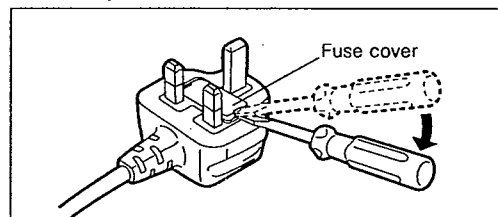
Before use

Remove the connector cover as follows.

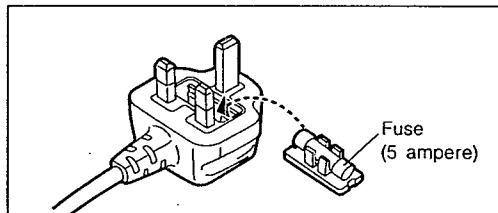


How to replace the fuse

1. Remove the fuse cover with a screwdriver.



2. Replace the fuse and attach the fuse cover



[For (GN) area.]

THIS TUNER/RECEIVER IS CAPABLE OF RECEIVING THE NEW AM STEREO BROADCASTS FROM THE AM BAND RADIO STATIONS. HOWEVER LIKE MANY TUNERS AND RECEIVERS CURRENTLY AVAILABLE ON THE MARKET IT WILL REPRODUCE THIS AM STEREO SIGNAL ONLY IN AM MONO, WHICH, IN EFFECT, IS OF NO LESSER QUALITY THAN YOUR EXISTING AM MONO TUNER/RECEIVER.

■ PROTECTION CIRCUITRY

The protection circuitry may have operated if either of the following conditions is noticed:

- No sound is heard when the power is turned on.
- Sound stops during a performance.

The function of this circuitry is to prevent circuitry damage if, for example, the positive and negative speaker connection wires are "shorted", or if speaker systems with an impedance less than the indicated rated impedance of the amplifier are used.

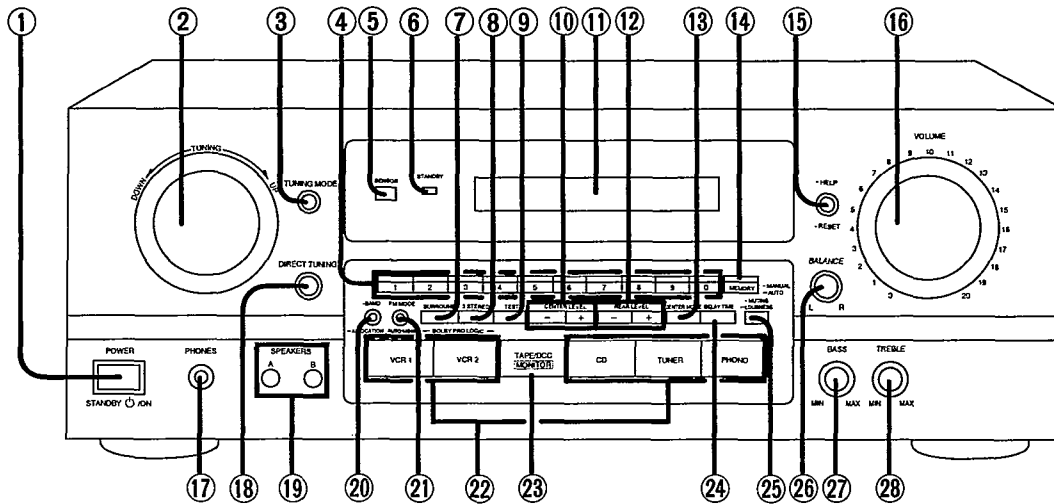
If this occurs, follow the procedure outlines below:

1. Turn off the power.
2. Determine the cause of the problem and correct it.
3. Turn on the power once again after one minute.

Note:

When the protection circuitry functions, the unit will not operate unless the power is first turned off and then on again.

FRONT PANEL CONTROLS





No.	Name
①	Power "STANDBY ON" switch (POWER, STANDBY ON) Press to switch the unit from on to standby mode or vice versa. In standby mode, the unit is still consuming a small amount of power.
②	Tuning control (TUNING)
③	Tuning mode select button (TUNING MODE)
④	Numeric buttons (1-0)
⑤	Remote control signal receptor (SENSOR)
⑥	"STANDBY" indicator When the unit is connected to the AC mains supply, this indicator lights up in standby mode and goes out when the unit is turned on.
⑦	DOLBY PRO LOGIC SURROUND ON/OFF button (SURROUND)
⑧	DOLBY PRO LOGIC 3 STEREO ON/OFF button (3 STEREO)
⑨	Test signal ON/OFF button (TEST)
⑩	Center level adjust button (CENTER LEVEL)
⑪	Display
⑫	Rear level adjust button (REAR LEVEL)

No.	Name
⑬	Center mode select button (CENTER MODE)
⑭	Memory button (MEMORY)
⑮	Help/reset button (-HELP - RESET)
⑯	Volume control (VOLUME)
⑰	Headphone jack (PHONES)
⑱	Direct tuning button (DIRECT TUNING)
⑲	Speaker select buttons (SPEAKERS)
⑳	Band select button (BAND)
㉑	FM mode select button (FM MODE)
㉒	Input select buttons
㉓	Tape/DCC monitor button (TAPE/DCC MONITOR)
㉔	Delay time adjust button (DELAY TIME)
㉕	Muting/loudness button (-MUTING - LOUDNESS)
㉖	Balance control (BALANCE)
㉗	Bass control (BASS)
㉘	Treble control (TREBLE)

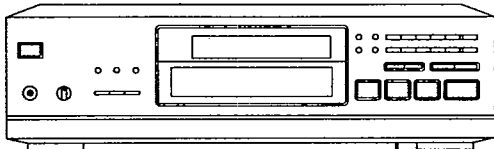
EQUIPMENT CONNECTIONS

Connecting audio equipment

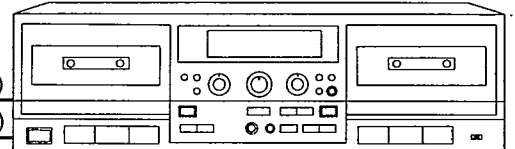
Stereo connection cable (not included)

White (L) 
Red (R) 

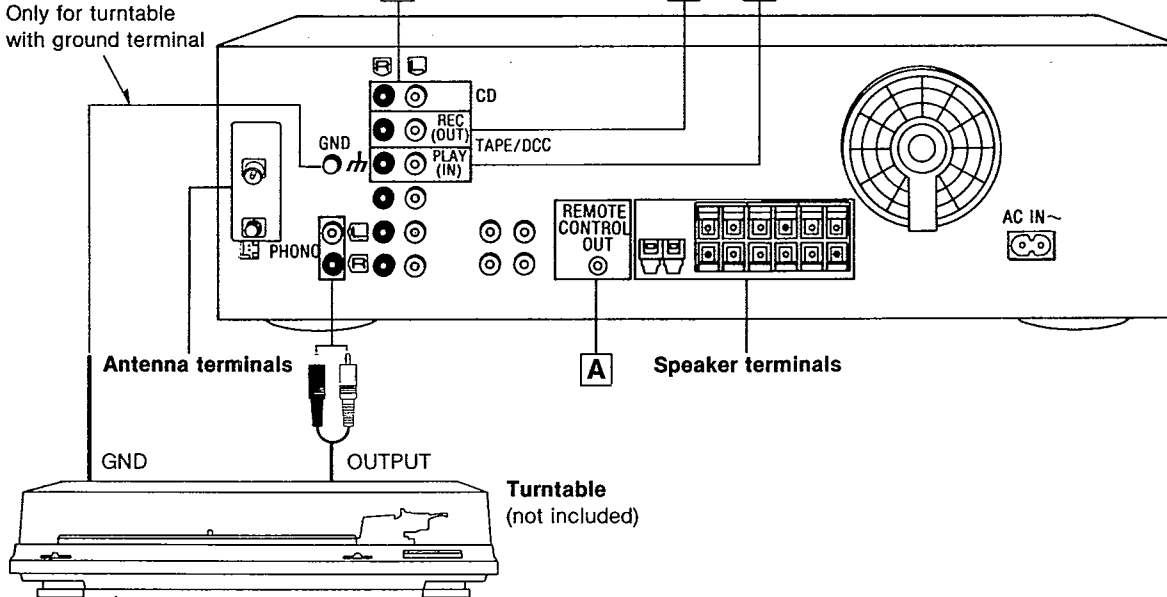
CD player (or CD changer)
(not included)



Tape deck or digital compact cassette deck (DCC)
(not included)

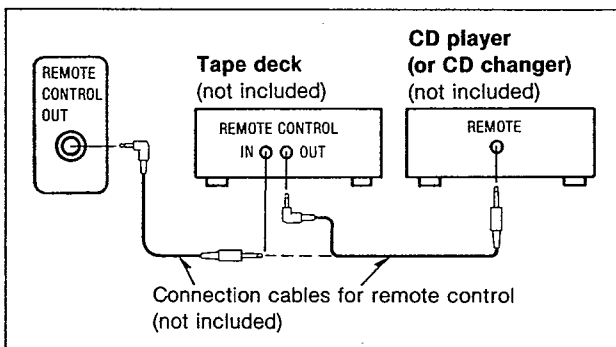


Only for turntable
with ground terminal



A "REMOTE CONTROL OUT" terminal

Connect the connection cable for the remote control to a Technics tape deck and/or CD player (or CD changer) which has the appropriate remote control terminal as shown below. If a tape deck is not being used, the CD player (or CD changer) can be connected directly (dotted line).



For a CD player (or CD changer) with a remote control sensor the above connection is not necessary.

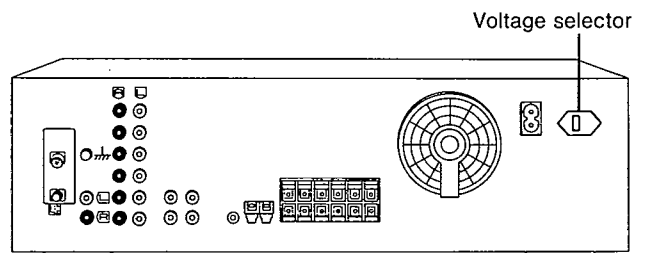
To set the power voltage

[For (G) area only.]

Set the voltage selector to the voltage setting for the area in which the unit will be used.

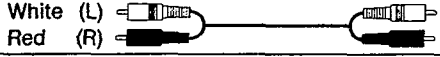
Note

Note that this unit will be seriously damaged if this setting is not made correctly.

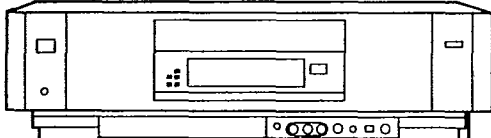


Connecting video equipment

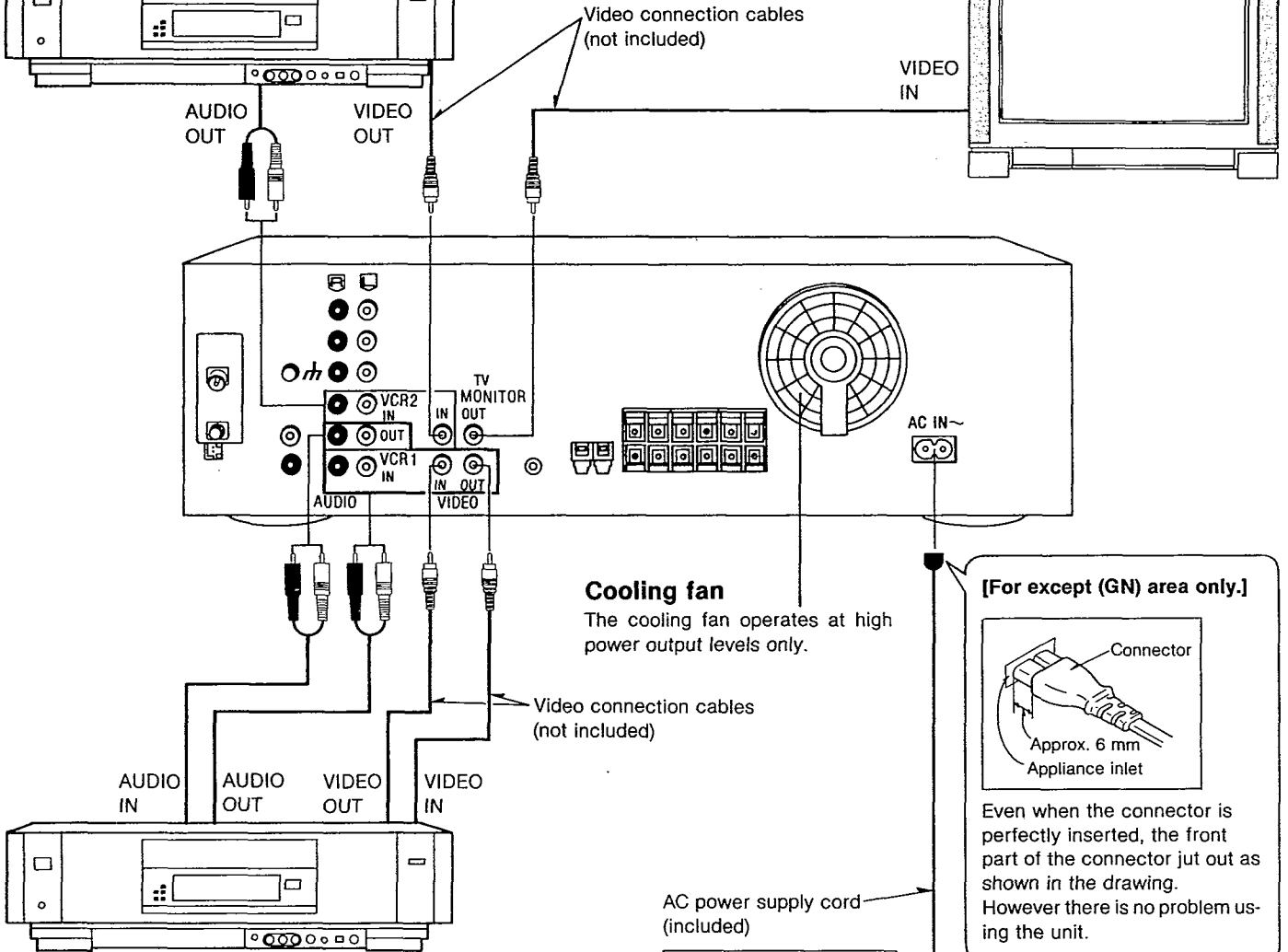
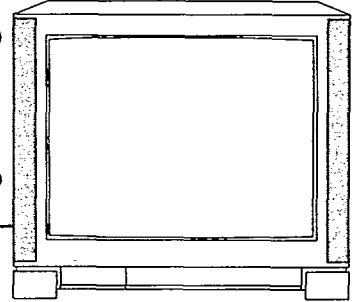
Stereo connection cable (not included)



Second VCR (for playback only)
(not included)



Monitor TV
(not included)



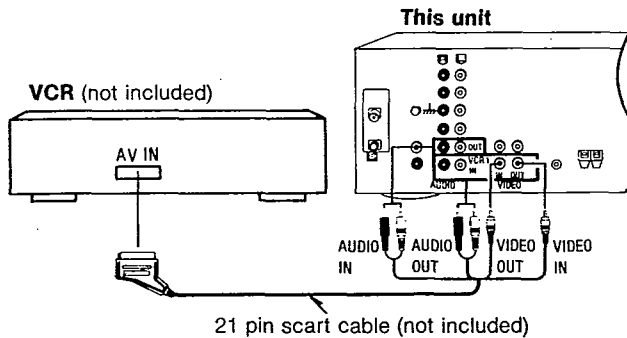
[For except (GN) area only.]

Connector
Approx. 6 mm
Appliance inlet

Even when the connector is perfectly inserted, the front part of the connector jut out as shown in the drawing. However there is no problem using the unit.

VCR
(not included)

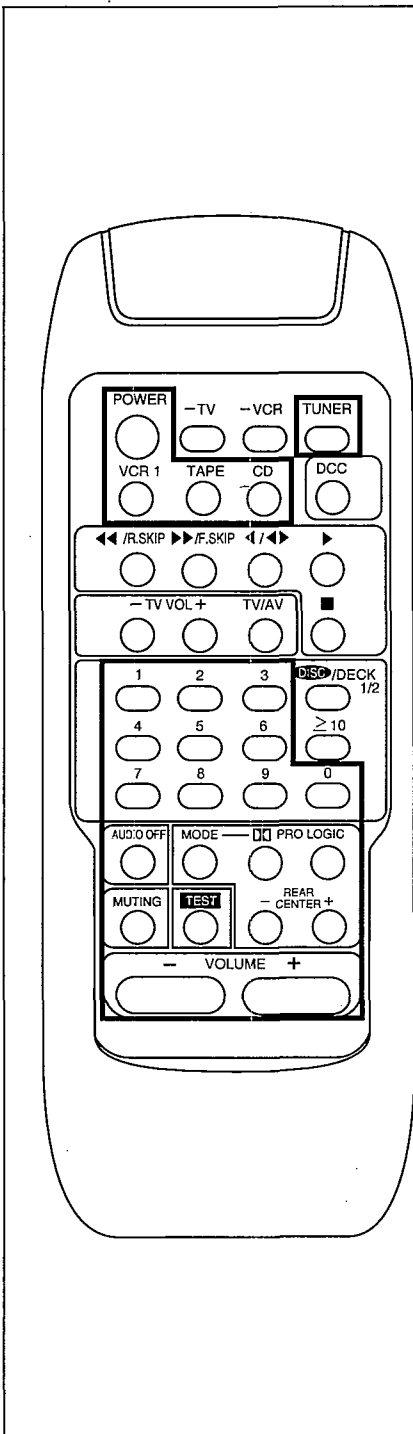
To connect a video deck with 21 pin scart terminal



[For (EB) area only.]
BE SURE TO READ THE CAUTION FOR THE AC POWER SUPPLY CORD ON PAGE 2 BEFORE CONNECTION.

[For (G) area only.]
If the power plug will not fit your socket, use the power plug adaptor (included).

REMOTE CONTROL OPERATION



To turn the unit ON/OFF	POWER
To select an input source	TUNER CD TAPE VCR 1
To select the Dolby Pro Logic mode	MODE — PRO LOGIC Changes as follows each time the button is pressed. → SURROUND → 3 STEREO → (OFF)
To adjust the output level of the rear speakers	When the SURROUND mode is ON - REAR +
To adjust the output level of the center speaker	When the 3 STEREO or SURROUND mode is ON - CENTER +
To output a test signal	When the 3 STEREO or SURROUND mode is ON Press once more to stop the test signal.
To mute the sound level	MUTING Press once more to return to the original volume.
To adjust the volume level	- VOLUME +
If your unit is equipped with the New Technics Remote Control System (see below)	
To turn the system OFF	AUDIO OFF
To listen to radio broadcasts	
<p>Specify the preset channel using the numeric button(s).</p> <p>TUNER → </p> <p>(Example: Channel 12) Within 2 sec.</p>	

BEFORE REPAIR AND ADJUSTMENT

Disconnect AC power, Discharge both Power Supply Capacitors C703 and C704 (63V 6800µF/75V 7500µF), C705 and C706 (35V 4700µF) through a 10Ω, 5W resistor to ground.

DO NOT SHORT-CIRCUIT DIRECTLY (with a screwdriver blade, for instance), as this may distroy solid state devices. After repairs are completed, restore power gradually using a variac, to avoid overcurrent.

Current consumption at 50Hz/60Hz in NO SIGNAL mode should be shown below with respect to supply voltage AC 230V/240V.

Power supply voltage	AC 230V		AC 240V		AC 110-127V		AC 220-240V	
	Consumed current 50/60Hz	50Hz	140~400mA	50Hz	150~420mA	50Hz	400~1000mA	50Hz
	60Hz	112~320mA	60Hz	120~336mA	60Hz	320~800mA	60Hz	120~336mA

■ OPERATION CHECKS AND MAIN COMPONENT REPLACEMENT PROCEDURES

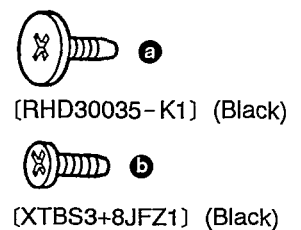
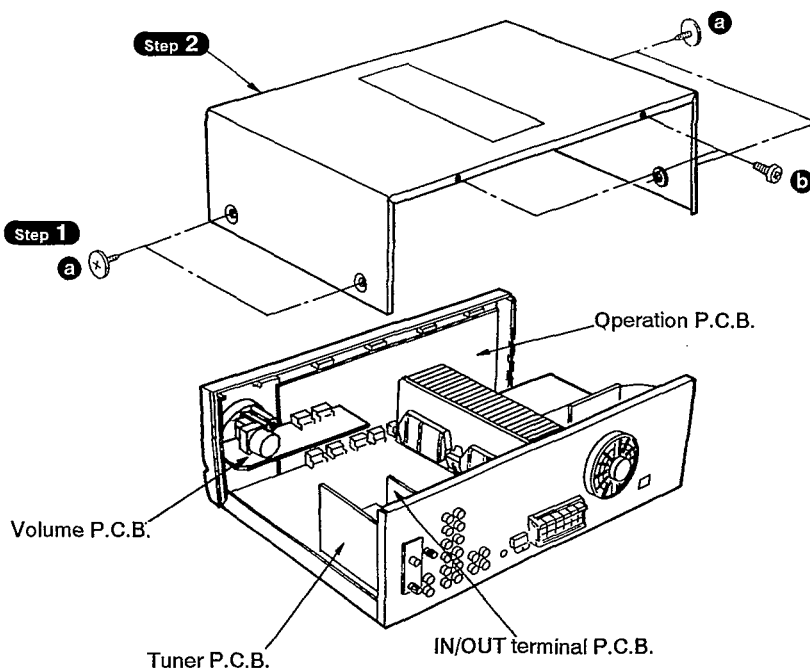
NOTE

1. This section describes procedures for checking the operation of the major printed circuit boards and replacing the main components.
2. For reassembly after operation checks or replacement, reverse the respective procedures. Special reassembly procedures are described only when required.
3. Select items from the following index when checks or replacement are required.
4. Illustrated screws are equivalent to actual size.
5. [] indicates parts No.

● Contents

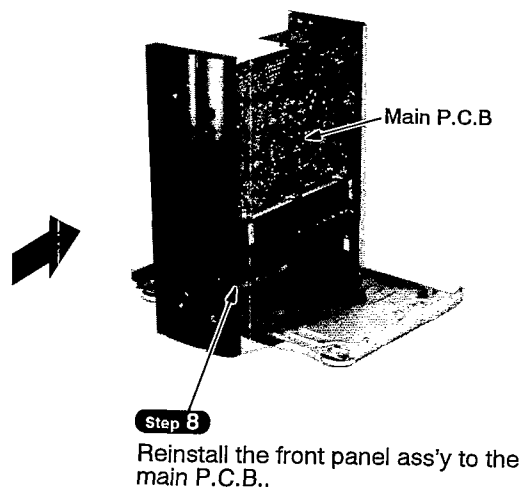
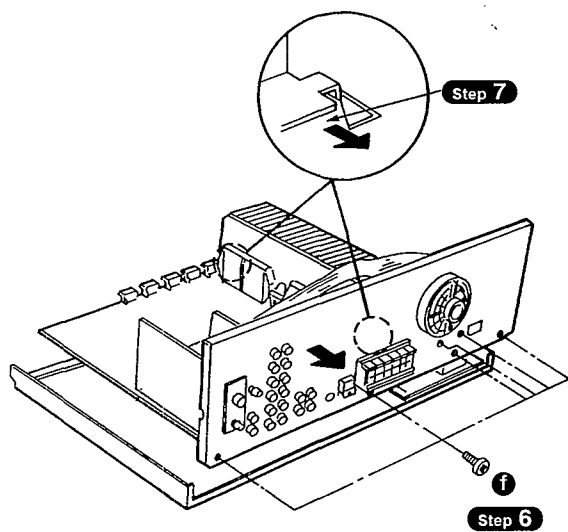
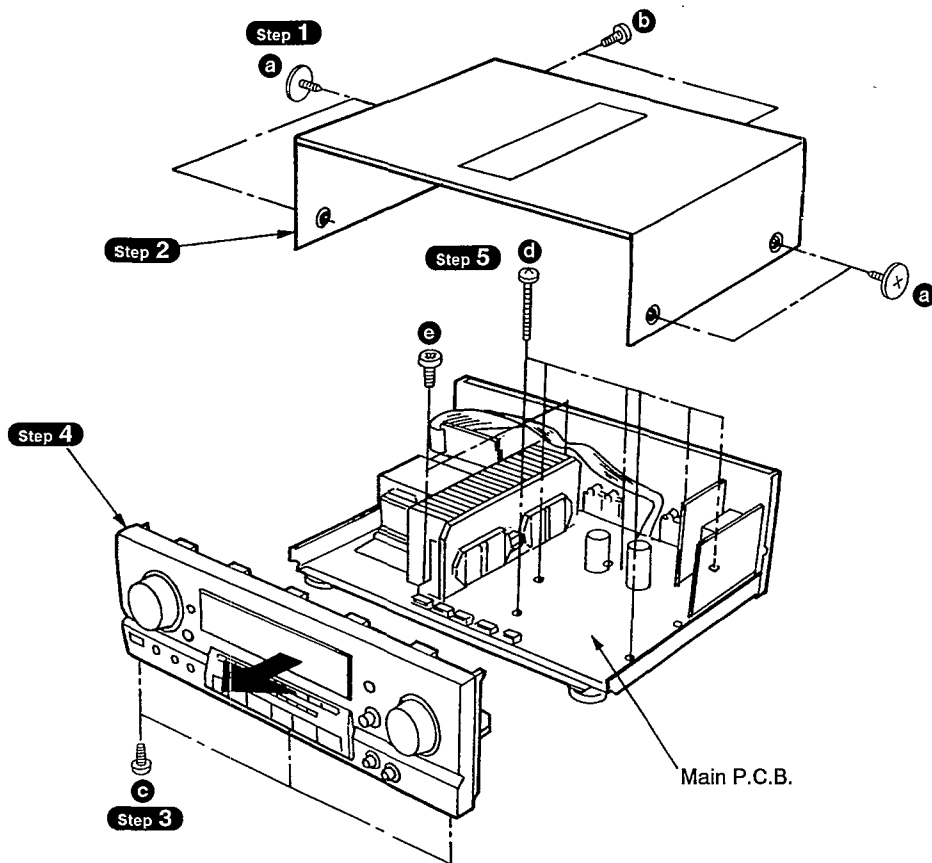
1. Checking for the volume P.C.B., tuner P.C.B., IN/OUT terminal P.C.B. and operation P.C.B.	page. 8.
2. Checking for the main P.C.B.	9.
3. Replacement for the power IC and regulator transistor	10.

1. Checking for the volume P.C.B., tuner P.C.B., IN/OUT terminal P.C.B. and operation P.C.B.



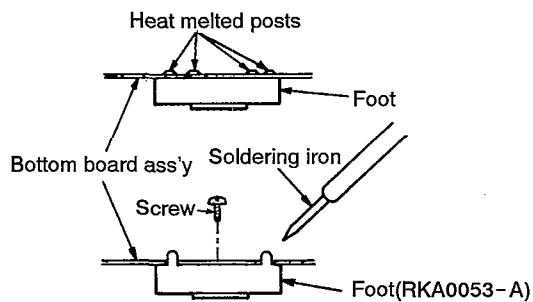
2. Checking for the main P.C.B.

- a**
[RHD30035-K1] (Black)
- b, c, f**
[XTBS3+8JFZ1] (Black)
- d**
[XTB3+20JFZ] (Black)
- e**
[XTB3+8JFZ] (Black)



• Replacement of the foot

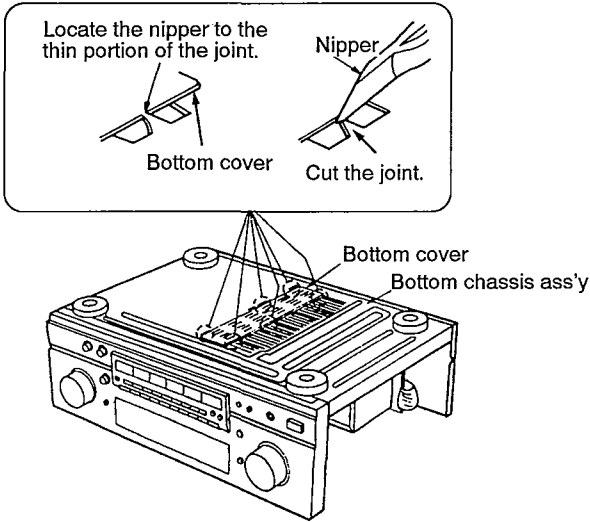
1. Remove the 4 heat melted posts on the Bottom board ass'y with a pair of nippers or similar tool.
2. To replace the foot(RKA0053-A) on the Bottom board ass'y melt the 4 posts with a soldering iron or install it with a screw (XTB3+6J).



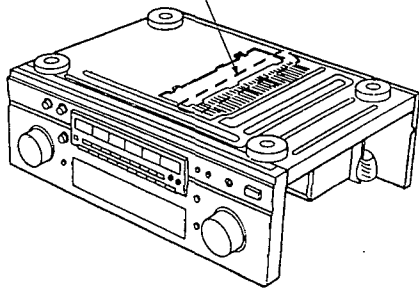
3. Replacement for the power IC and regulator transistor

Step 1 Follow the disassembly procedure described in item 1 on page 8.

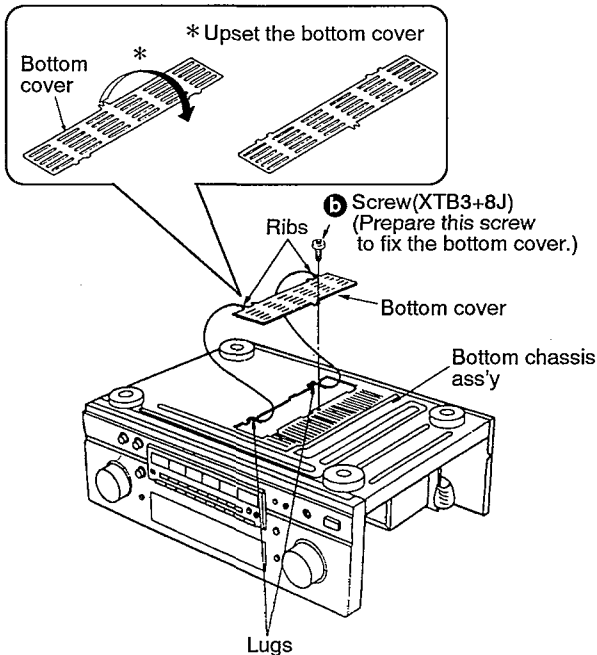
Step 2 Cut the joints as shown below.(6 portions)



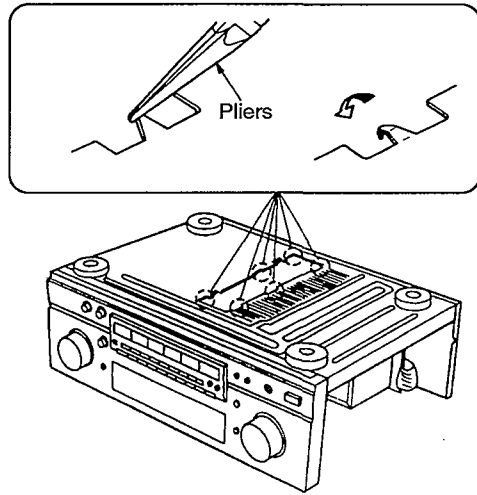
Step 4 Unsolder the terminals of power IC or regulator transistor.



Step 7 Fix the bottom cover with screw.

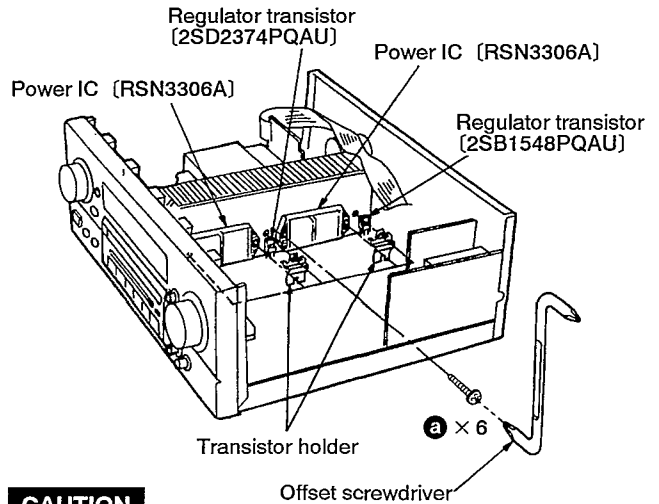


Step 3 Fold the joints.(6 portions)



Step 5 Remove the 6 screws.

Step 6 Remove the transistor holder.



CAUTION

- After replacing the power IC or regulator transistor, apply a sufficient quantity of compound grease (RFKX0002/ SZZ0L15) between the heat sink and the power IC or regulator transistor (Radiation of power IC and regulator transistor).
- Tighten enough the screws (**a**) after replacing the power IC or regulator transistor. Otherwise, the heat radiation works little.
- When installing or removing the power IC or transistor holder, be sure to use an offset screwdriver.



[XTW3+15T]



(Prepare this screw to fix the bottom cover.)

[XTB3+8J] (Black)

CAUTION:

1. A long straight screwdriver cannot be used for removal or mounting since its long grip interferes with the neighboring P.C.B. (See Fig.1)
2. A short straight screwdriver may be used for removal, but cannot be used for mounting because the limited space in the unit will not allow sufficient tightening torque. (See Fig.2)

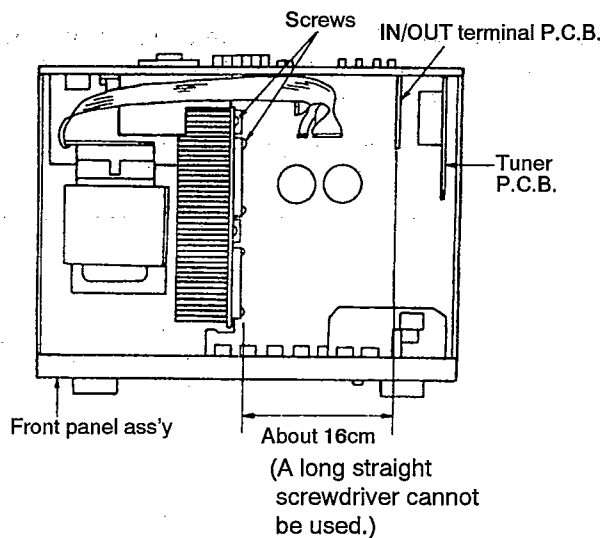
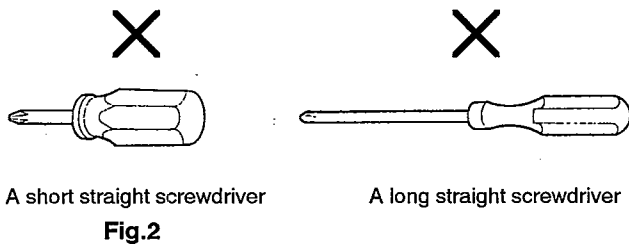
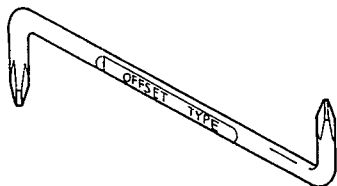



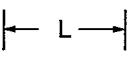
Fig.1

3. Insufficient tightening will cause poor heat dissipation from the power IC and regulator transistor and, in the worst case, may lead their thermal breakdown. (See Fig.2)

—OFFSET SCREWDRIVER—

- The PROTO offset screwdriver No.34- 1/4 is recommended for use in the application above.



No.		
34 1/4	1 & 2	4 3/4"

- The address of PROTO International Sales is as follows.



International Sales

International Sales Office
 Stanley-Proto Industrial Tools
 14117 Industrial Park Blvd.
 Covington, GA 30209 U.S.A.
 Fax: 706-786-4387
 Phone: 706-787-3800

Australia, New Zealand &
 South Pacific
 Stanley-Proto Industrial Tools
 P.O.Box 10
 400 Whitehorse Road
 Nunweding 3131
 Victoria, Australia
 Fax: 61-3-894-1173
 Phone: 61-3-878-9244

Singapore, Indonesia,
 Philippines, Korea, Hong
 Kong, Malaysia, China.
 Stanley-Proto Asia Pacific
 12 Gui Drive
 Singapore 2262
 Fax: 65-861-3206
 Phone: 65-862-0883

Thailand
 Stanley-Proto Thailand Ltd.
 1017 Moo 13 Bangnatrad
 Highway, Tambol Bankaew
 Amphur Bangplee
 Samutprakarn, Thailand
 Fax: 66-2-316-6071
 Phone: 66-2-316-8655

Japan
 Stanley Works Japan
 2-7-16 Hyakunin-Cho
 Shinjuku-ku
 Tokyo 160 Japan
 Fax: 81-3-3360-8456
 Phone: 81-3-3360-8458

Mexico
 Herramientas Stanley S.A.
 DE C.V.
 Apartado Postal 675
 72030 Puebla, Pue, Mexico
 Fax: 52-22-494-4880
 Phone: 52-22-495-300

South & Central America,
 Puerto Rico, The Caribbean
 Stanley Inter-America
 2101 N.W. 84th Ave.
 Miami, Florida 33122
 Fax: 305-594-4261
 Phone: 305-591-3828

Europe
 Stanley-Proto Europe
 Woodside, Sheffield
 539PD
 England
 Fax: 44-742-739-038
 Phone: 44-742-768-888

Canada
 Stanley-Proto Canada
 1100 Corporate Drive
 Burlington, Ontario
 Canada, L7L 5R6
 Fax: 416-335-0075
 Phone: 416-335-0075

Middle East, Mediterranean
 & Africa
 Stanley-MEMA
 Cory House The Ring
 Bracknell Berkshire
 RG 12 1A2
 England
 Fax: 44-344-485-526
 Phone: 44-344-51813

FAN MOTOR TROUBLESHOOTING GUIDE

The Model SA-GX670 employ fan motor error sensing electronics. If the cooling fan is not operation and "OVER LOAD" is displayed on the FL display, check the fan motor and its driving circuit.

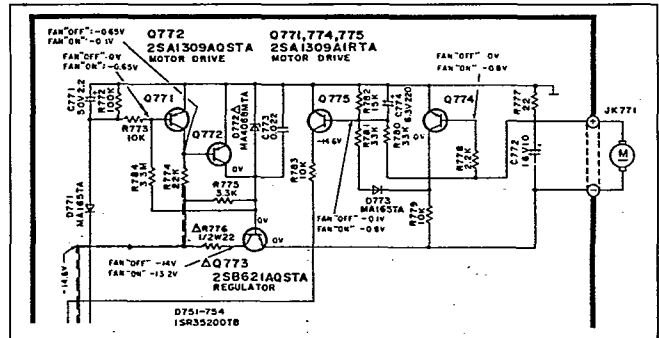
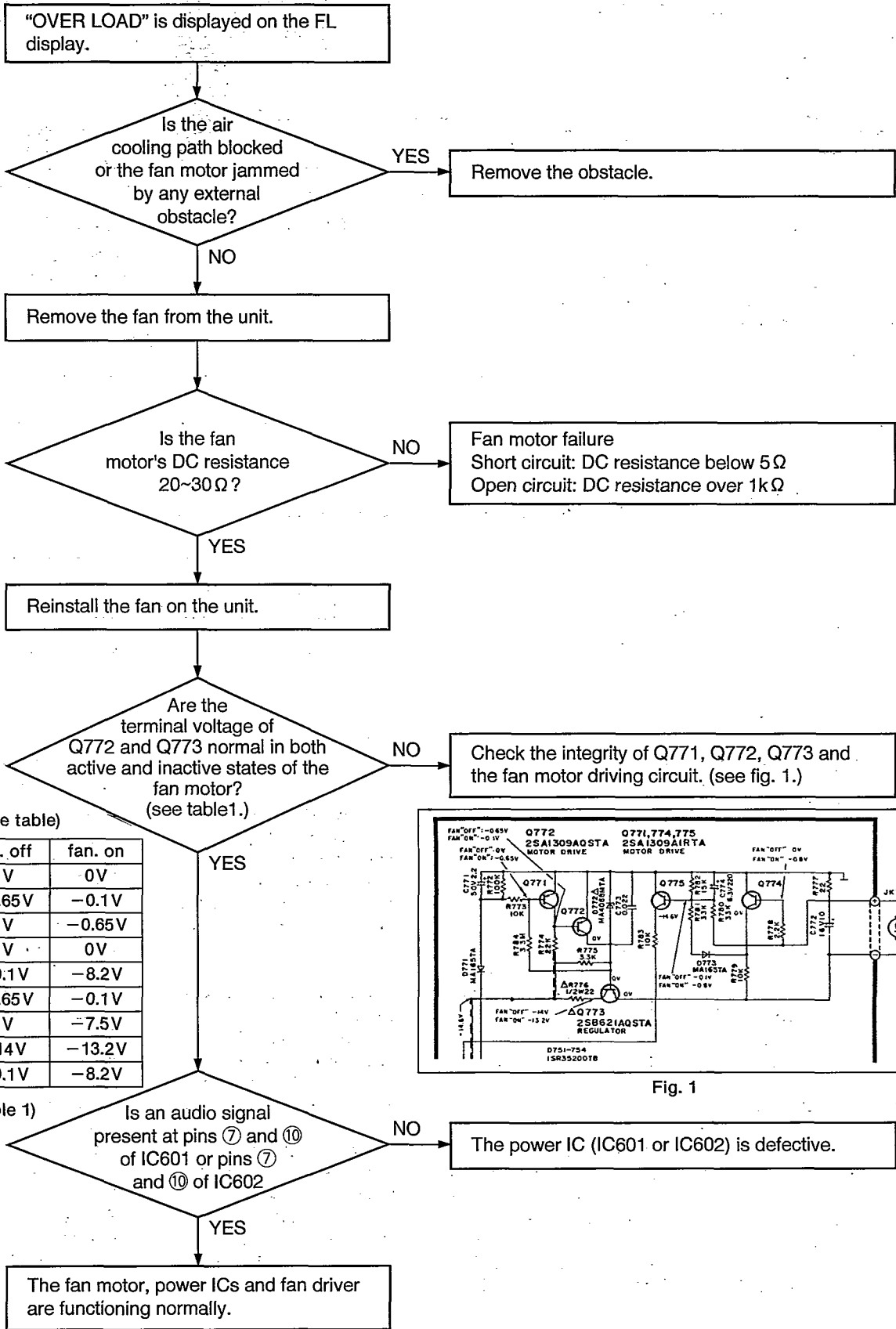
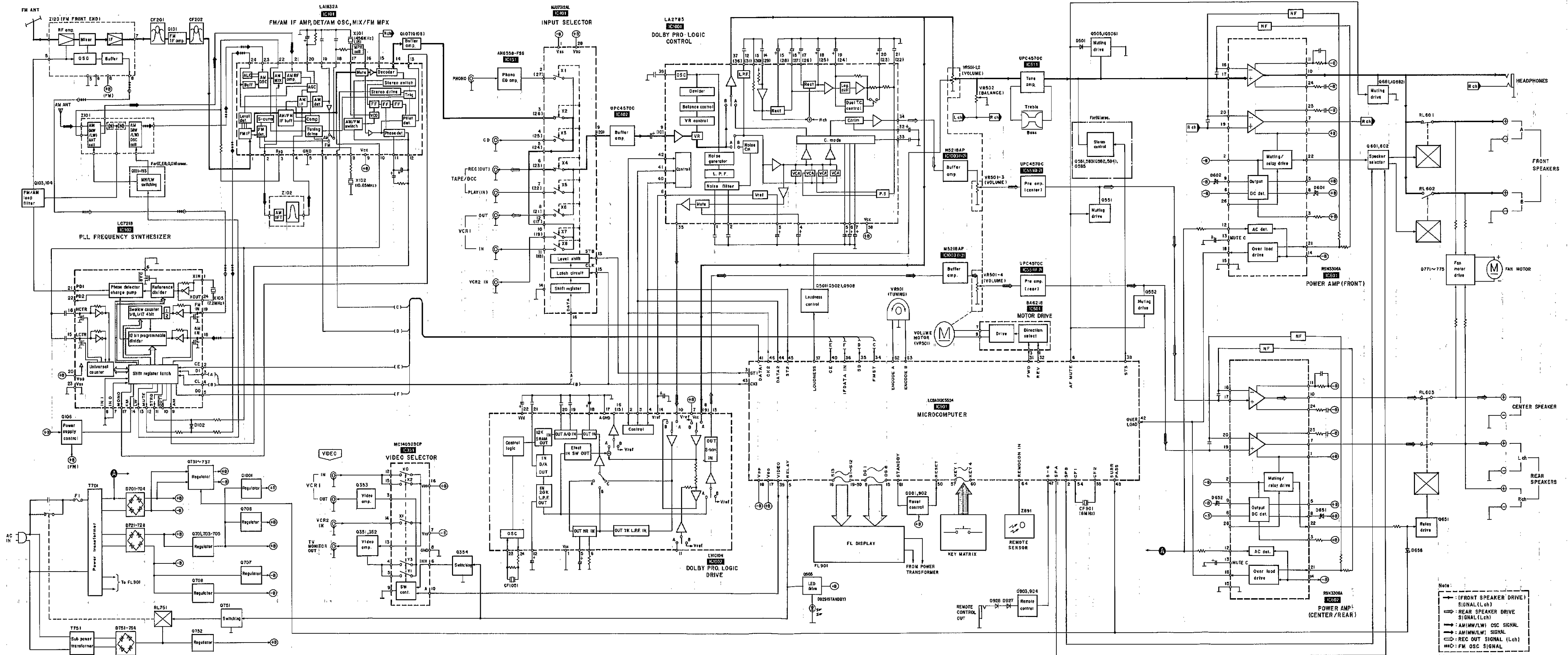
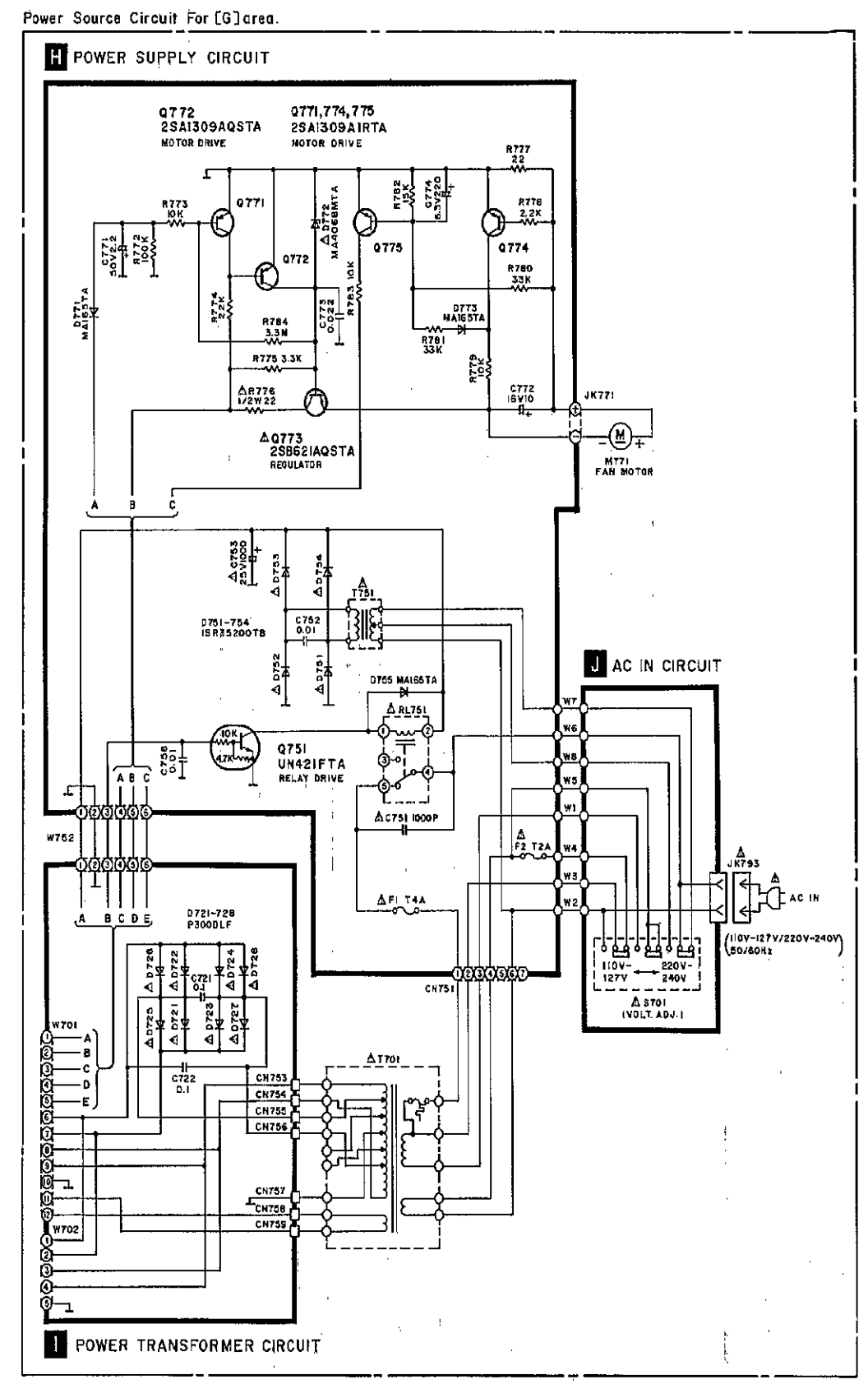
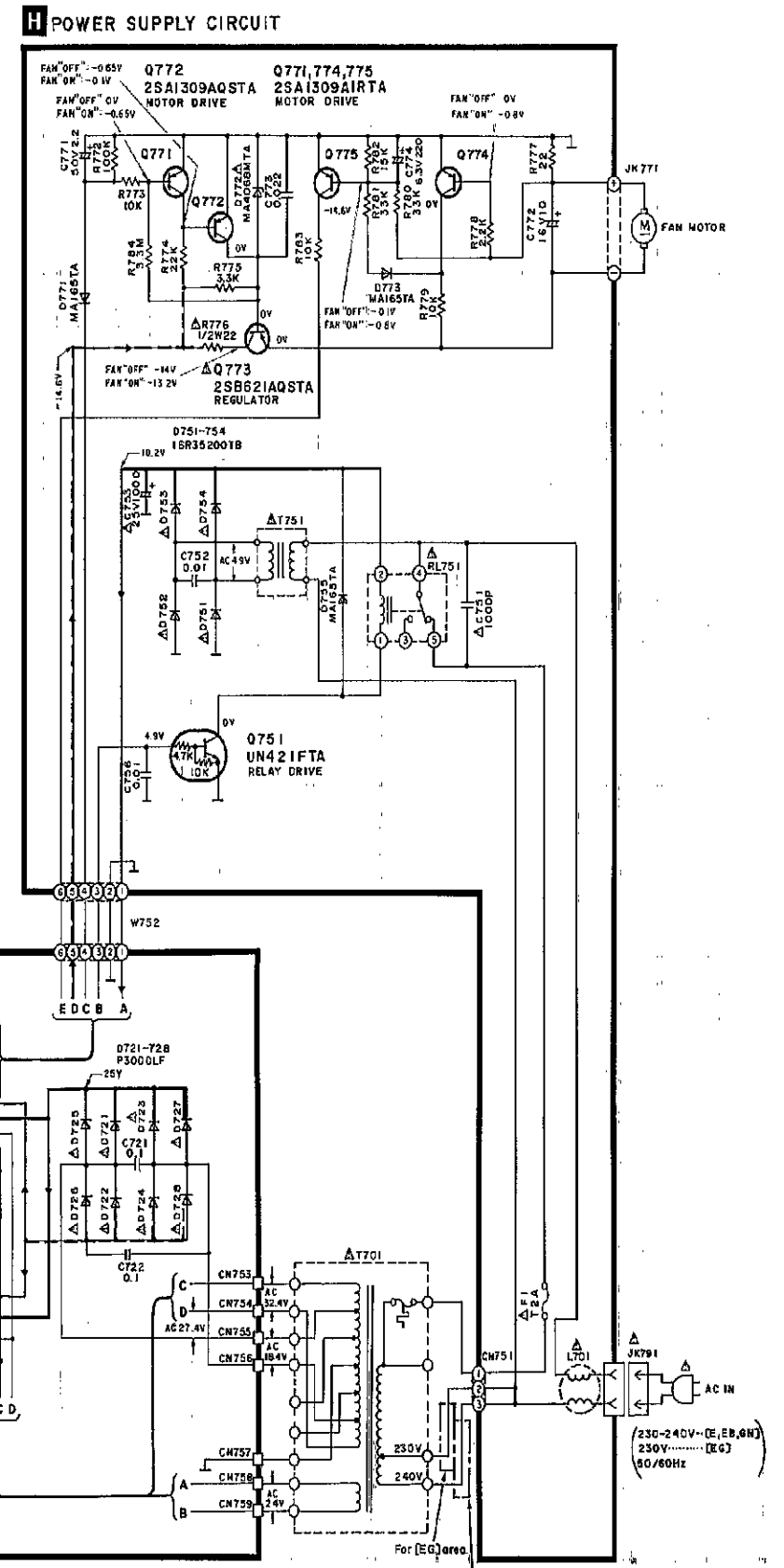
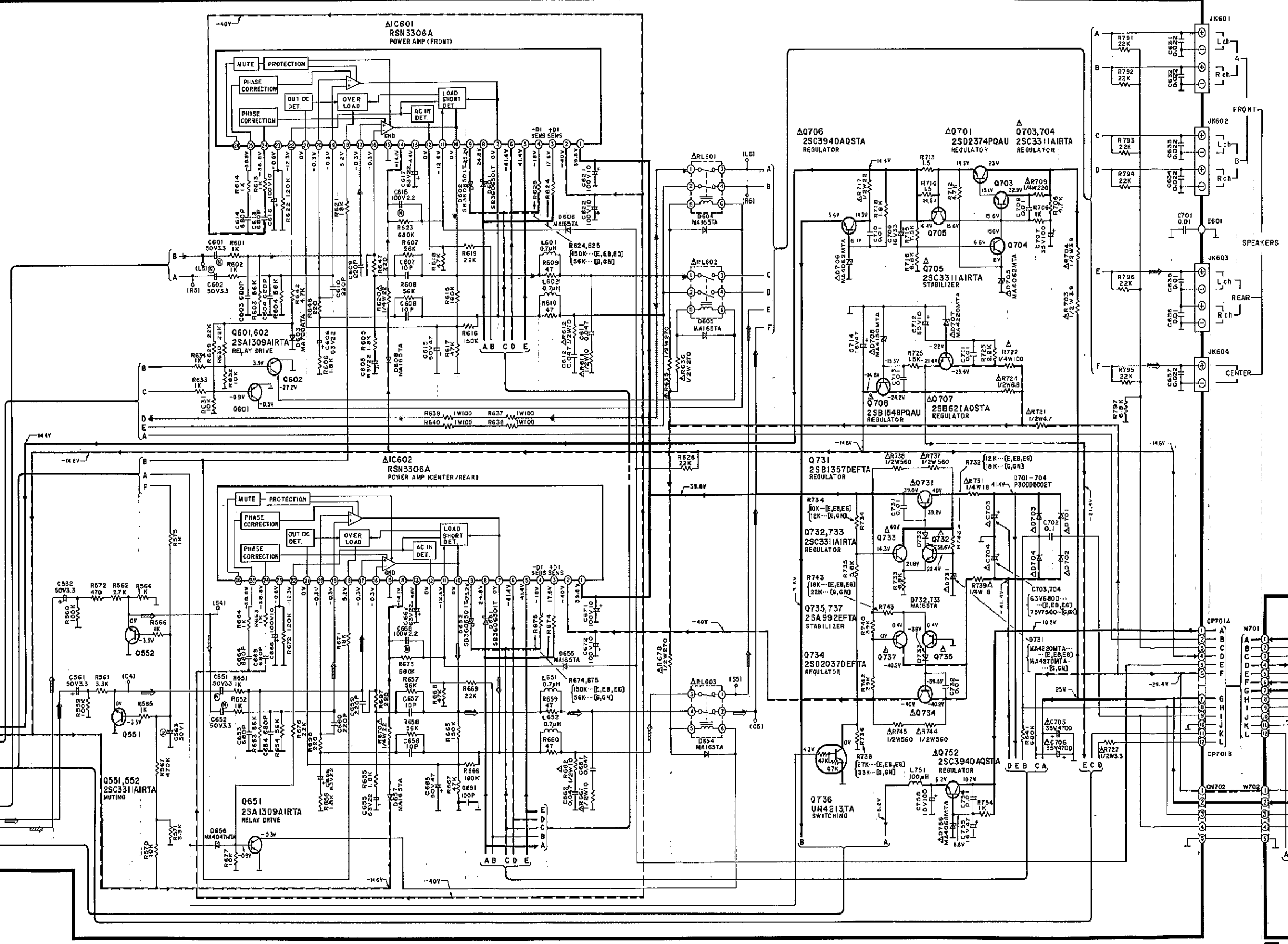


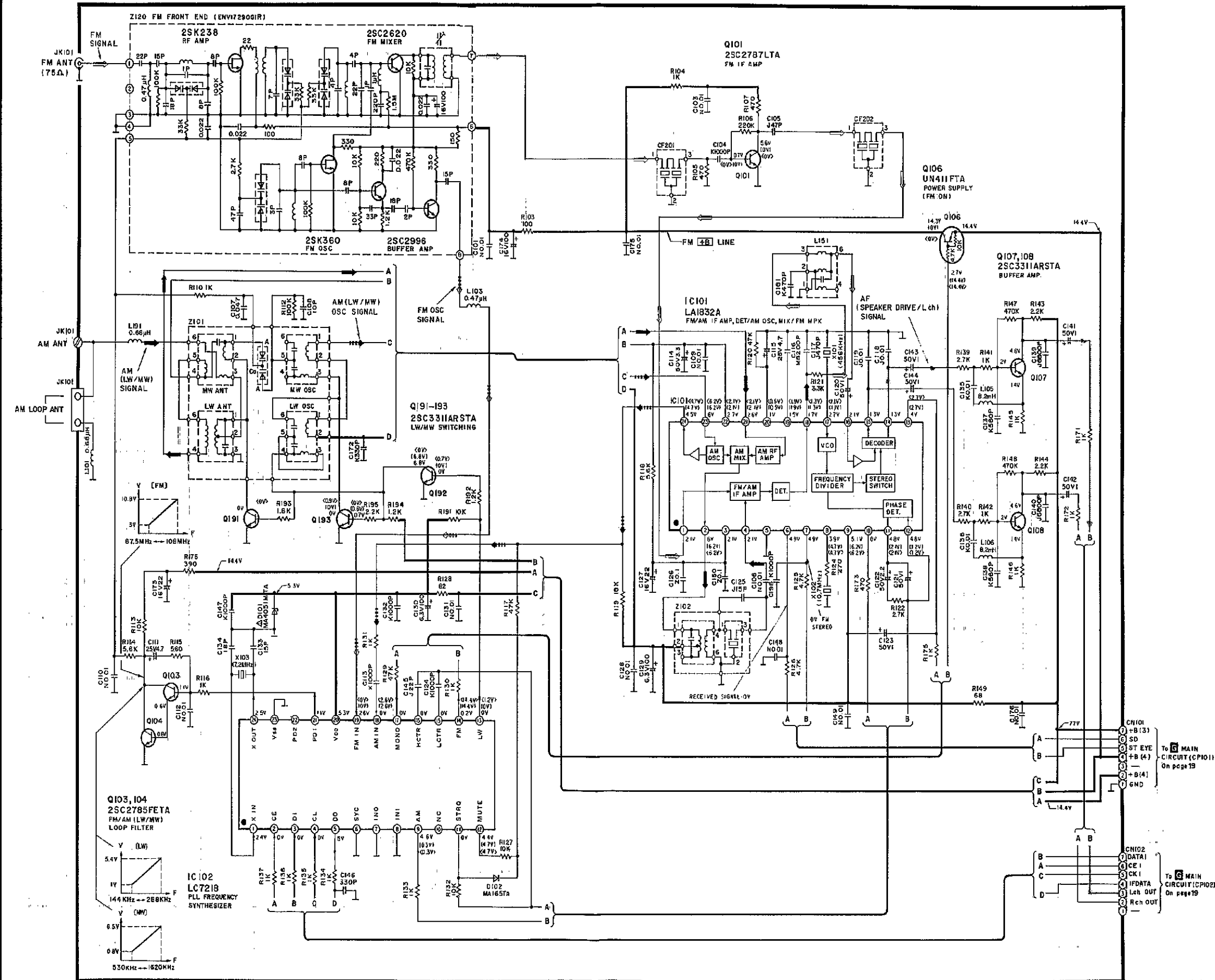
Fig. 1

BLOCK DIAGRAM

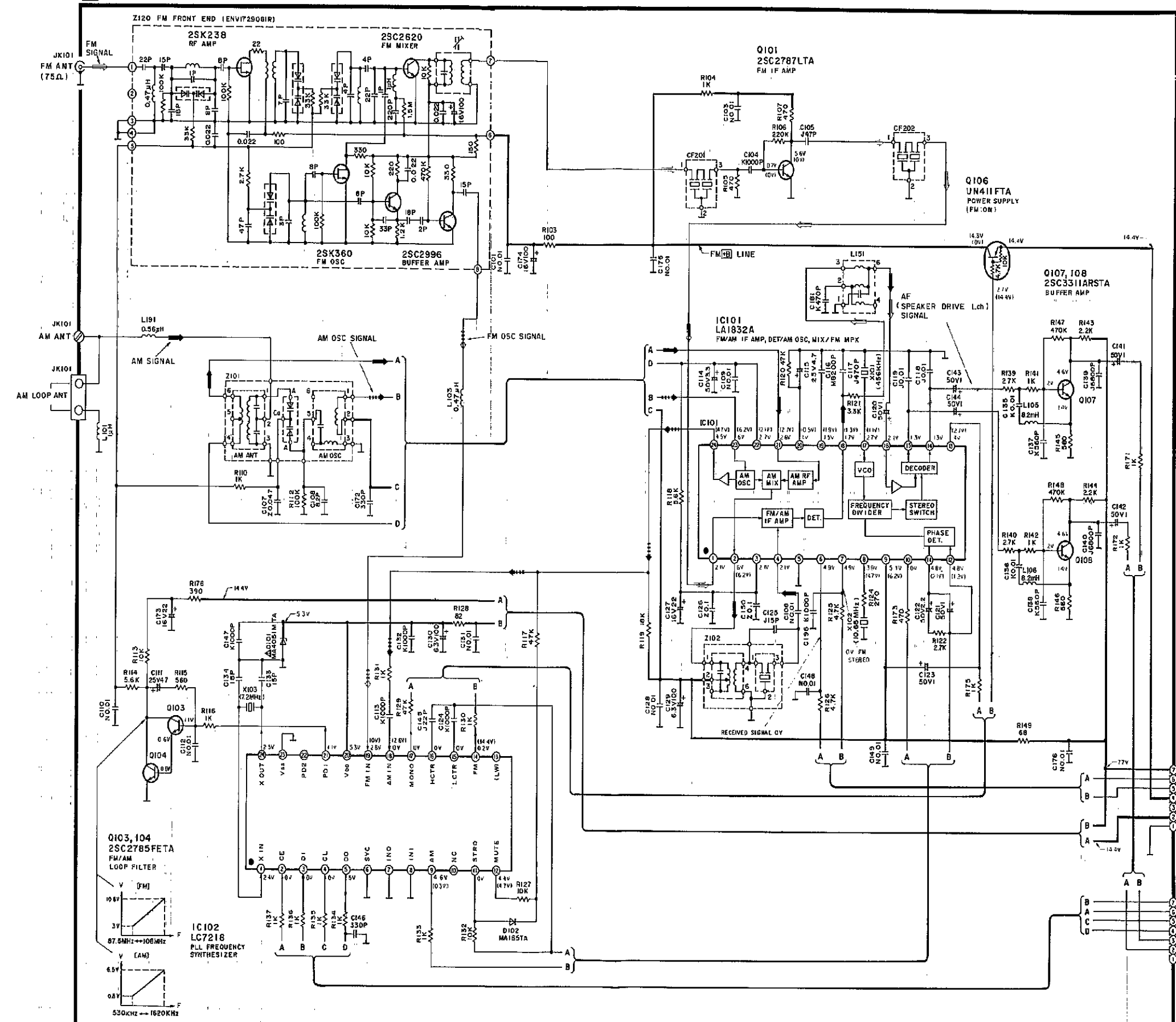


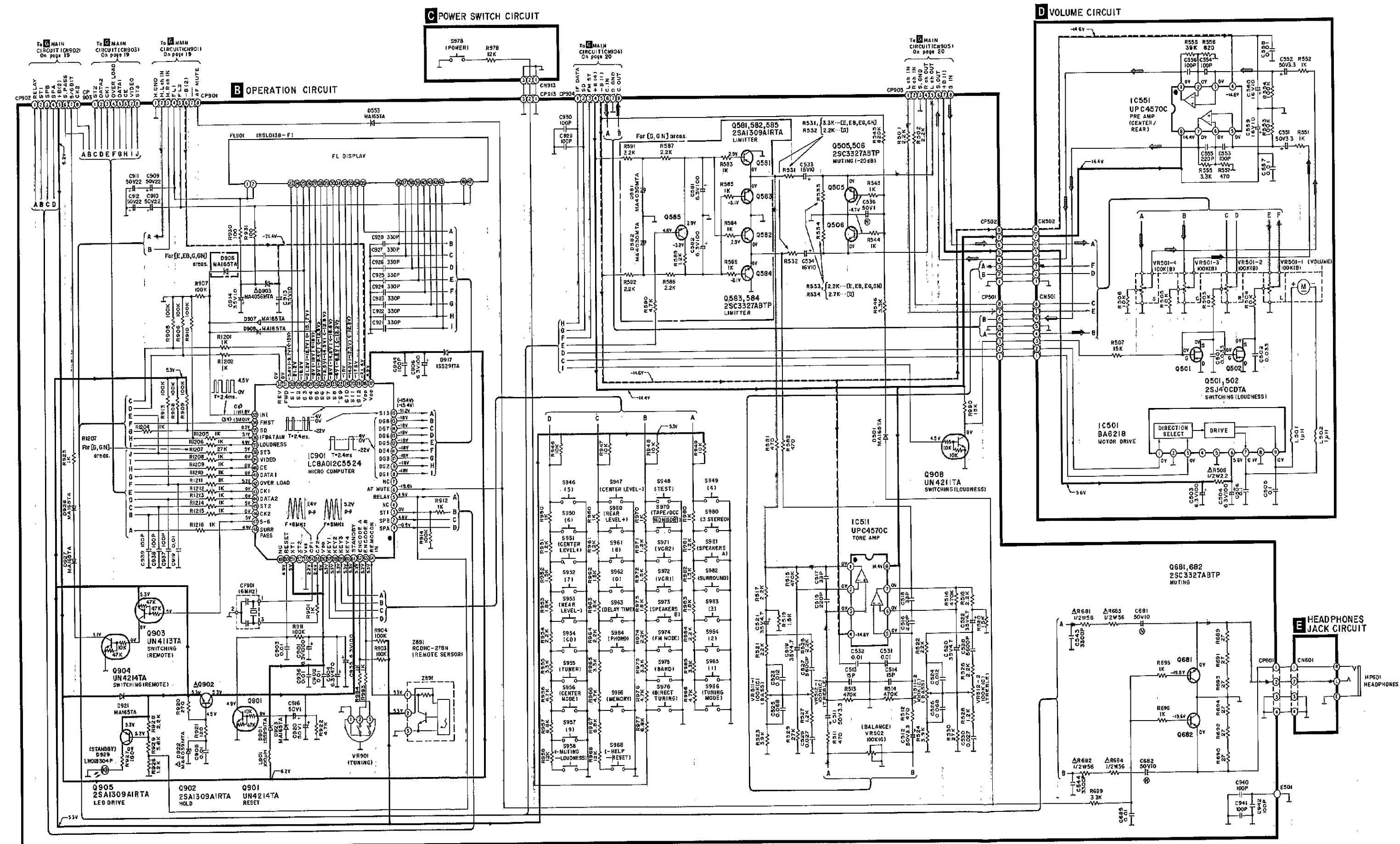


A TUNER CIRCUIT For [E,EB,G,GN] areas.



A TUNER CIRCUIT For [EG] area.

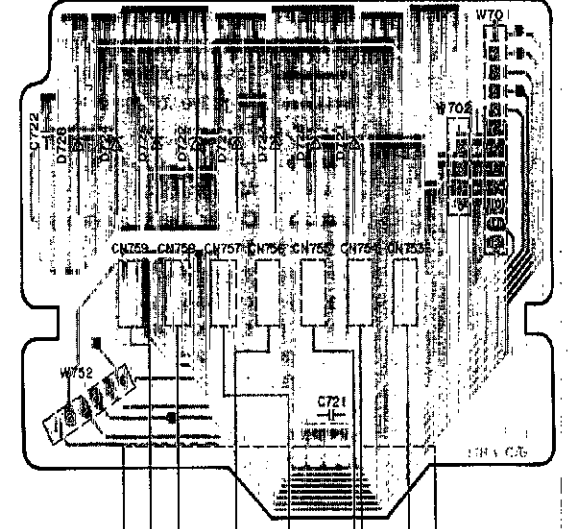




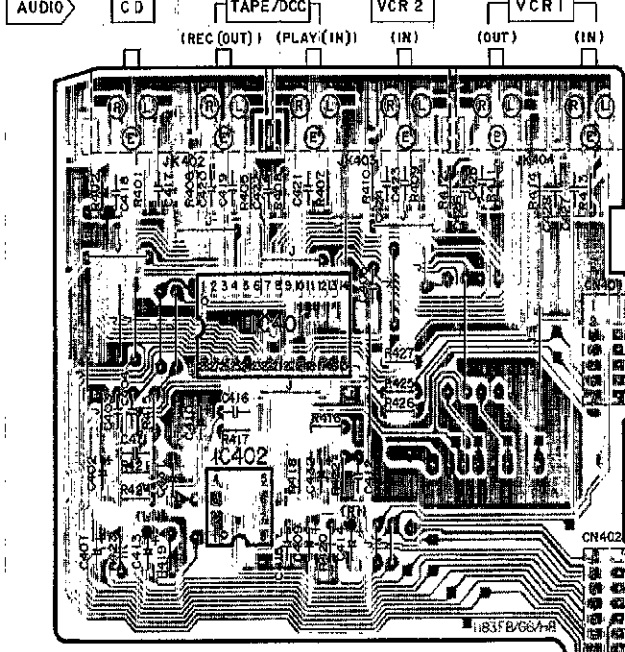
- Note 2:
- S701 : Voltage selector switch in "240V" position. (110V ↔ 127V ↔ 220V ↔ 240V) [For (G) area only.]
 - S946 : Numeric (5) switch.
 - S947 : Center level adjust (CENTER LEVEL (-)) switch.
 - S948 : Test signal ON/OFF (TEST) switch.
 - S949 : Numeric (4) switch.
 - S950 : Numeric (6) switch.
 - S951 : Center level adjust (CENTER LEVEL (+)) switch.
 - S952 : Numeric (7) switch.
 - S953 : Rear level adjust (REAR LEVEL (-)) switch.
 - S954, 955 : Input select switches. (S954: CD, S955: TUNER)
 - S956 : Center mode select (CENTER MODE) switch.
 - S957 : Numeric (9) switch.
 - S958 : Muting/Loudness (-MUTING-LOUDNESS) switch.
 - S960 : Rear level adjust (REAR LEVEL (+)) switch.
 - S961 : Numeric (8) switch.
 - S962 : Numeric (0) switch.
 - S963 : Delay time adjust (DELAY TIME) switch.
 - S964 : Input select (PHONO) switch.
 - S966 : Memory (MEMORY) switch.
 - S968 : Help/reset (-HELP-RESET) switch.
 - S970 : Tap/DCC monitor (TAPE/DCC MONITOR) switch.
 - S971, 972 : Input select switch. (S971: VCR 2, S972: VCR 1)
 - S973 : Speaker select (SPEAKERS B) switch.
 - S974 : FM mode select (FM MODE) switch.
 - S975 : Band select (BAND) switch.
 - S976 : Direct tuning (DIRECT TUNING) switch.
 - S978 : Power (POWER) switch.
 - S980 : DOLBY PRO LOGIC 3 STEREO ON/OFF (3 STEREO) switch.
 - S981 : Speaker select (SPEAKERS A) switch.
 - S982 : DOLBY PRO LOGIC SURROUND ON/OFF (SURROUND) switch.
 - S983 : Numeric (3) switch.
 - S984 : Numeric (2) switch.
 - S985 : Numeric (1) switch.
 - S986 : Tuning mode select (TUNING MODE) switch.
- Signal line
- : FM OSC signal
 - ▣ : AM (MW/LW) OSC signal
 - ▤ : Rec out signal (Lch)
 - ▥ : Rear speaker drive signal (Lch)
 - ▧ : Positive voltage lines
 - ▨ : Negative voltage lines
 - ▩ : FM signal
 - : AM (MW/LW) signal
 - : AF signal (Lch)
 - ▬ : Center speaker drive signal (Lch)
- Important safety notice
- Components identified by Δ mark have special characteristics important for safety. Furthermore, special parts which have purposes of fire-retardant (resistors), high-quality sound (capacitors), low-noise (resistors), etc. are used as occasion calls. When replacing any of components, be sure to use only manufacturer's specified parts shown in the parts list.
- All voltage values shown in circuitry are DC voltage in FM signal (Stereo signal) reception mode.
- * Figures in () stand for DC-voltage in MW signal reception mode.
- * Figures in < > stand for DC-voltage in LW signal reception mode.
- Caution!
- IC and LSI are sensitive to static electricity. Secondary trouble can be prevented by taking care during repair.
- Cover the parts boxes made of plastics with aluminum foil.
 - Ground the soldering iron.
 - Put a conductive mat on the work table.
 - Do not touch the legs of IC or LSI with the fingers directly.

PRINTED CIRCUIT BOARDS

I POWER TRANSFORMER P.C.B. (REP1735B-P... (E,EB)
REP1735C-P... (EG)
REP1735E-P... (GN))

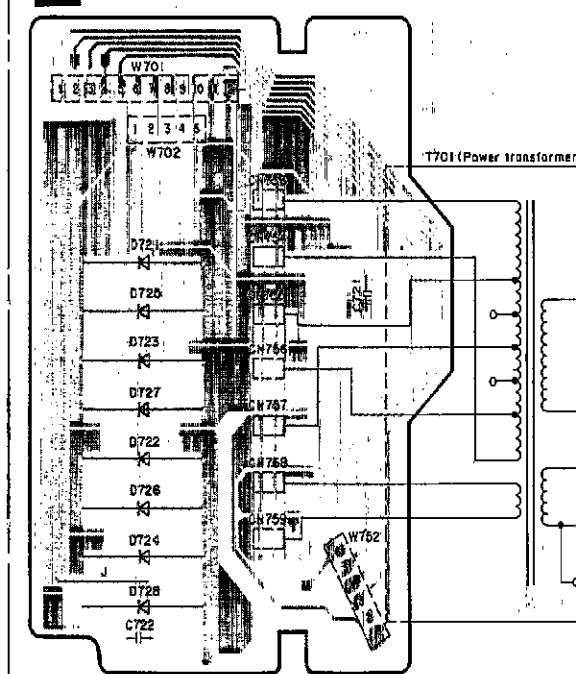


F IN/OUT TERMINAL P.C.B. (REP1735B-P... (E,EB)
REP1735C-P... (EG)
REP1735D-P... (G)
REP1735E-P... (GN))

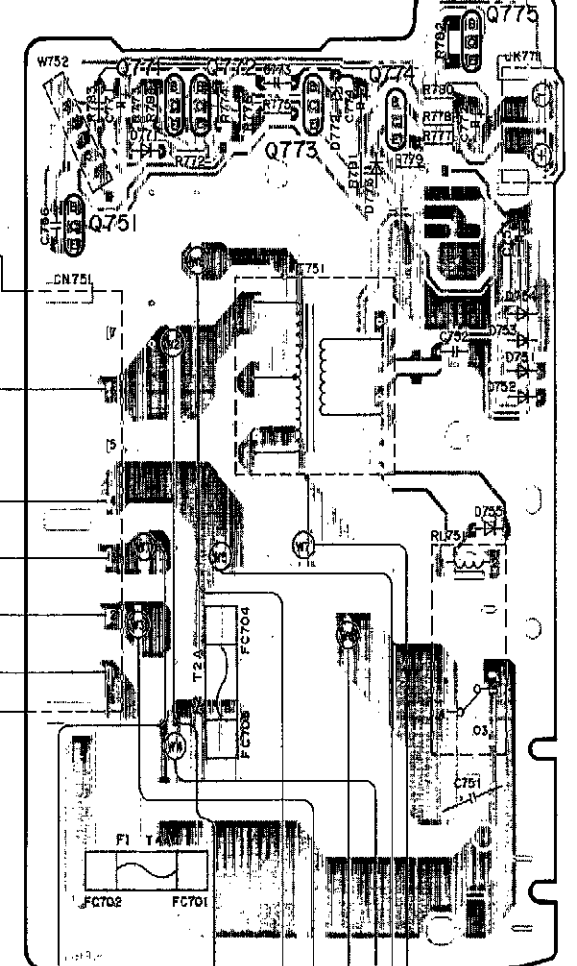


Power Source P.C.B. For (G) area.

I POWER TRANSFORMER P.C.B. (REP1735D-P)

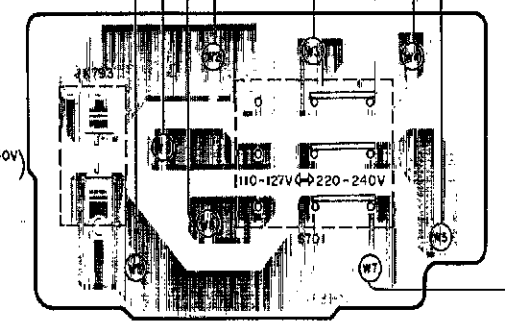
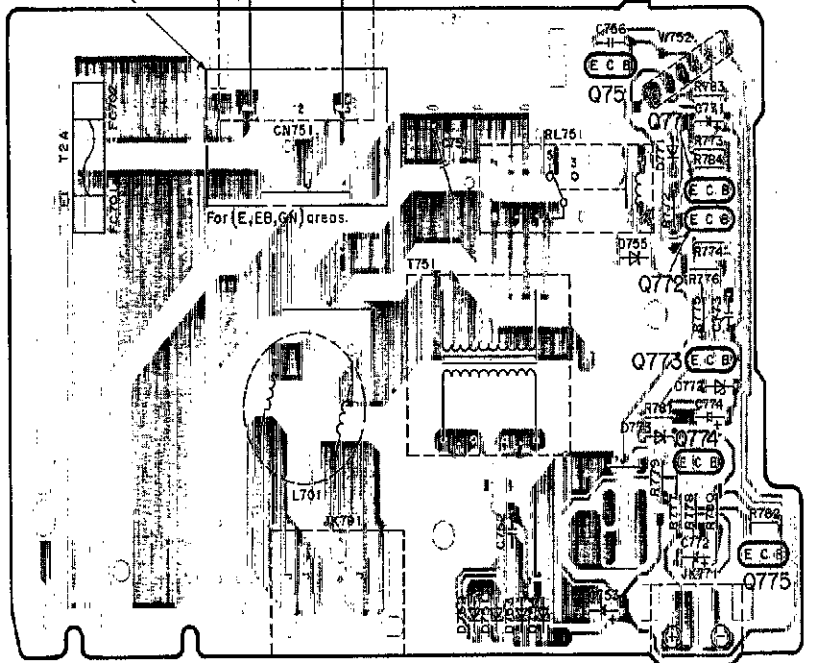
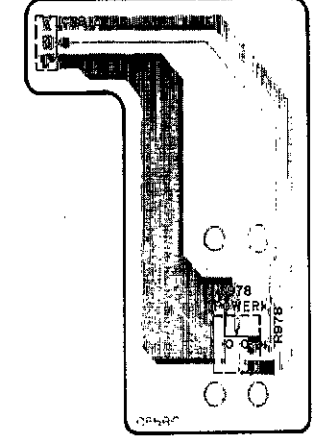


H POWER SUPPLY P.C.B. (REP1735D-P)



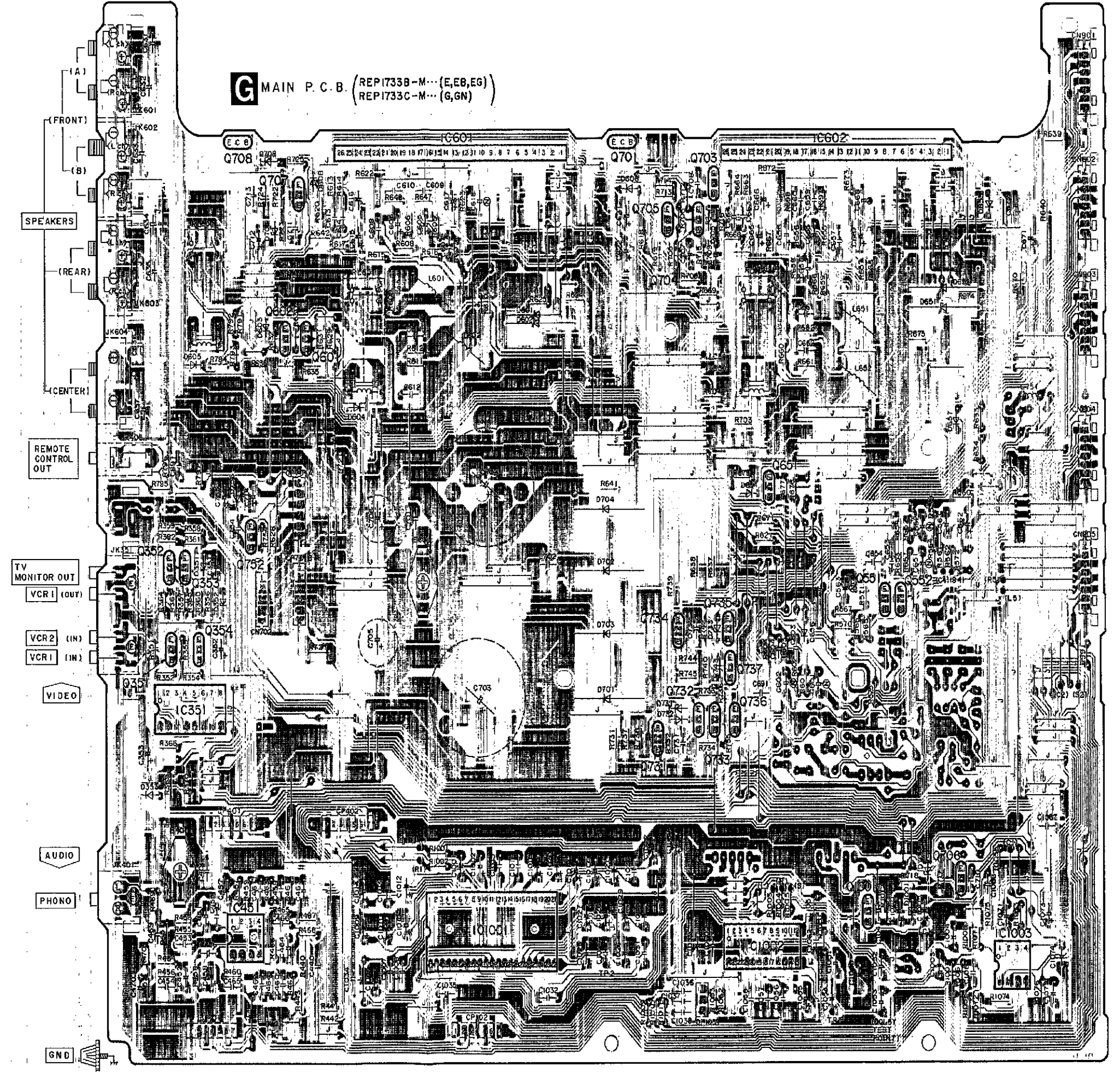
H POWER SUPPLY P.C.B. (REP1735B-P... (E,EB)
REP1735C-P... (EG)
REP1735E-P... (GN))

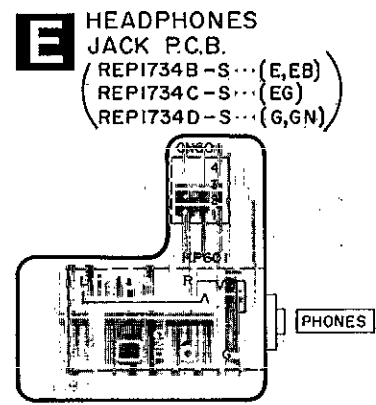
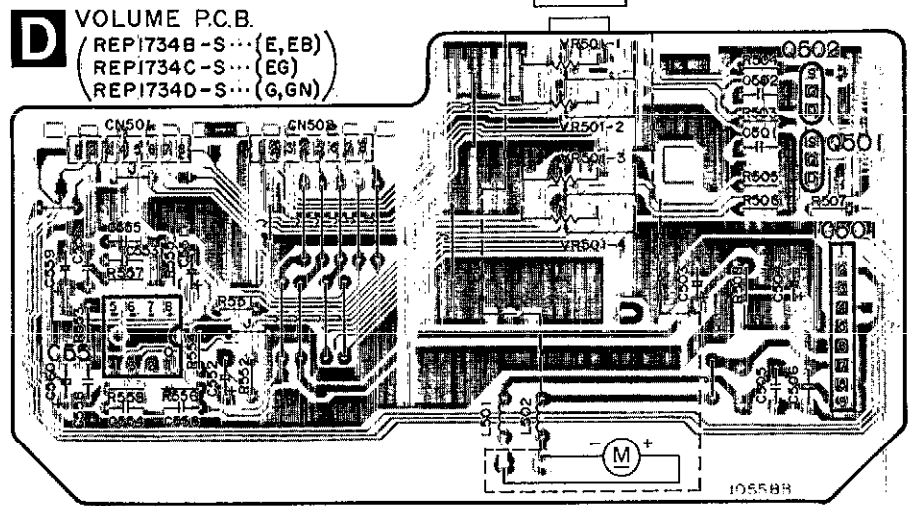
C POWER SWITCH P.C.B. (REP1734B-S... (E,EB)
REP1734C-S... (EG)
REP1734D-S... (G,GN))



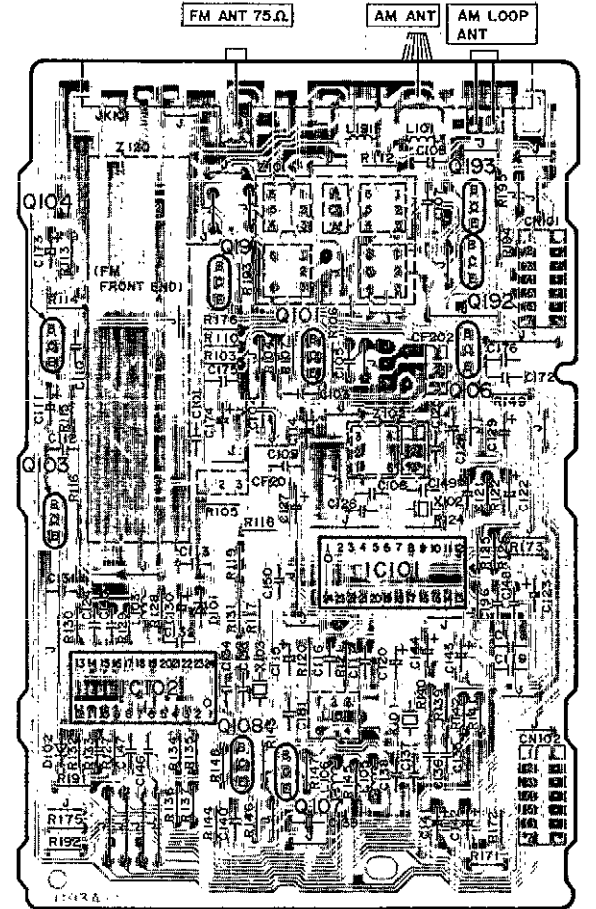
J AC IN P.C.B. (REP1735D-P)

G MAIN P.C.B. (REP1733B-M... (E,EB,EG)
REP1733C-M... (G,GN))

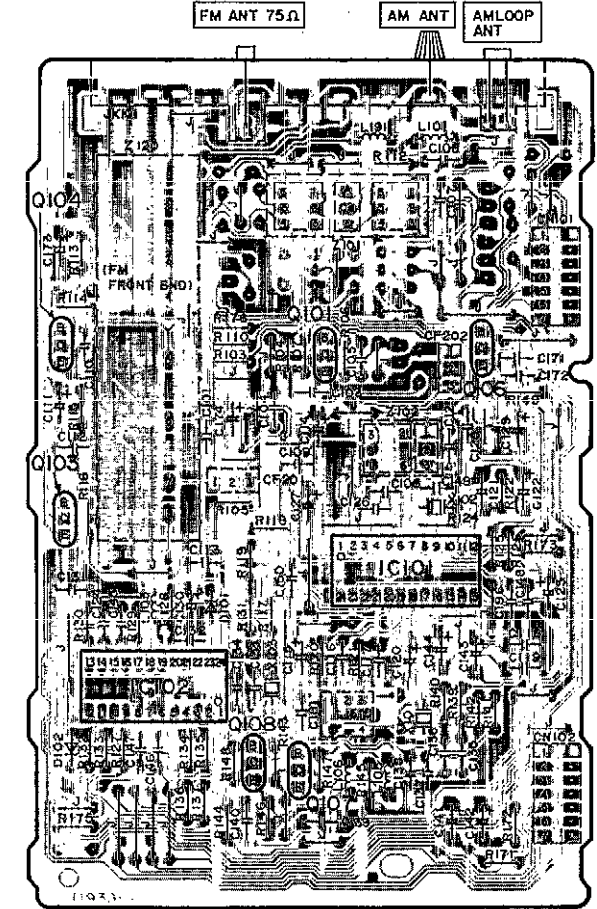




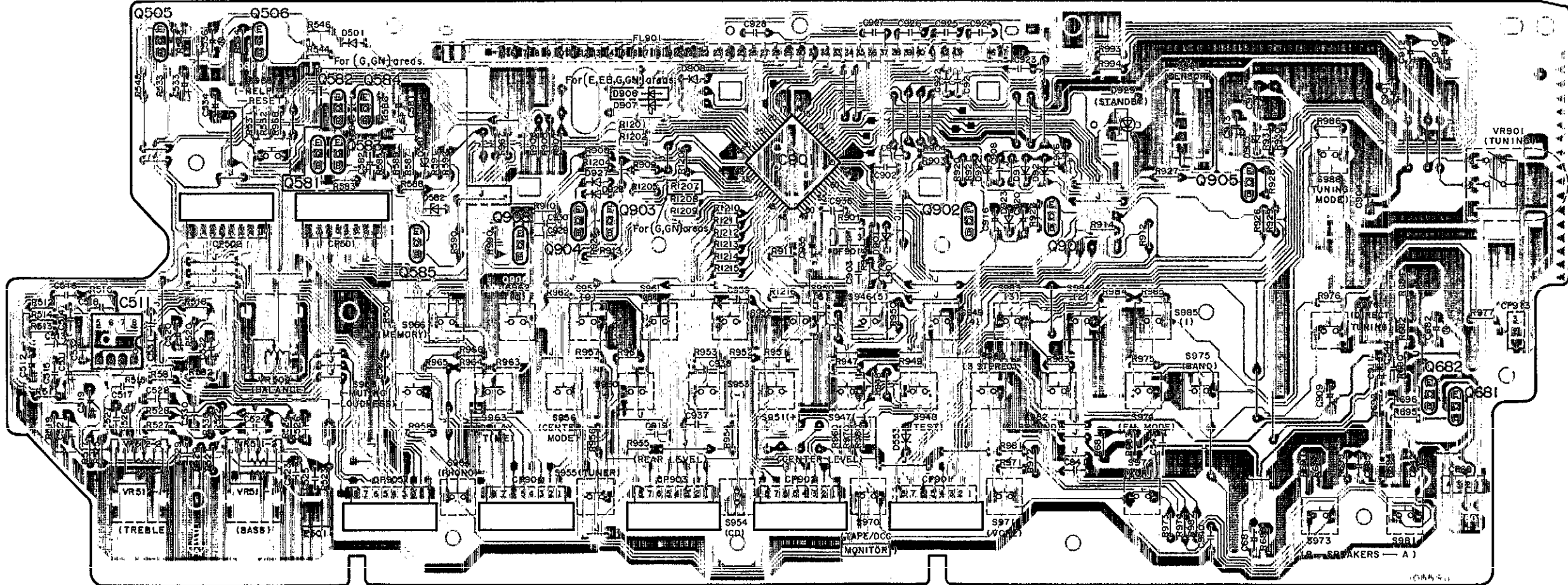
A TUNER P.C.B. For (E,EB,G,GN) areas.
 (REP1750B-T)



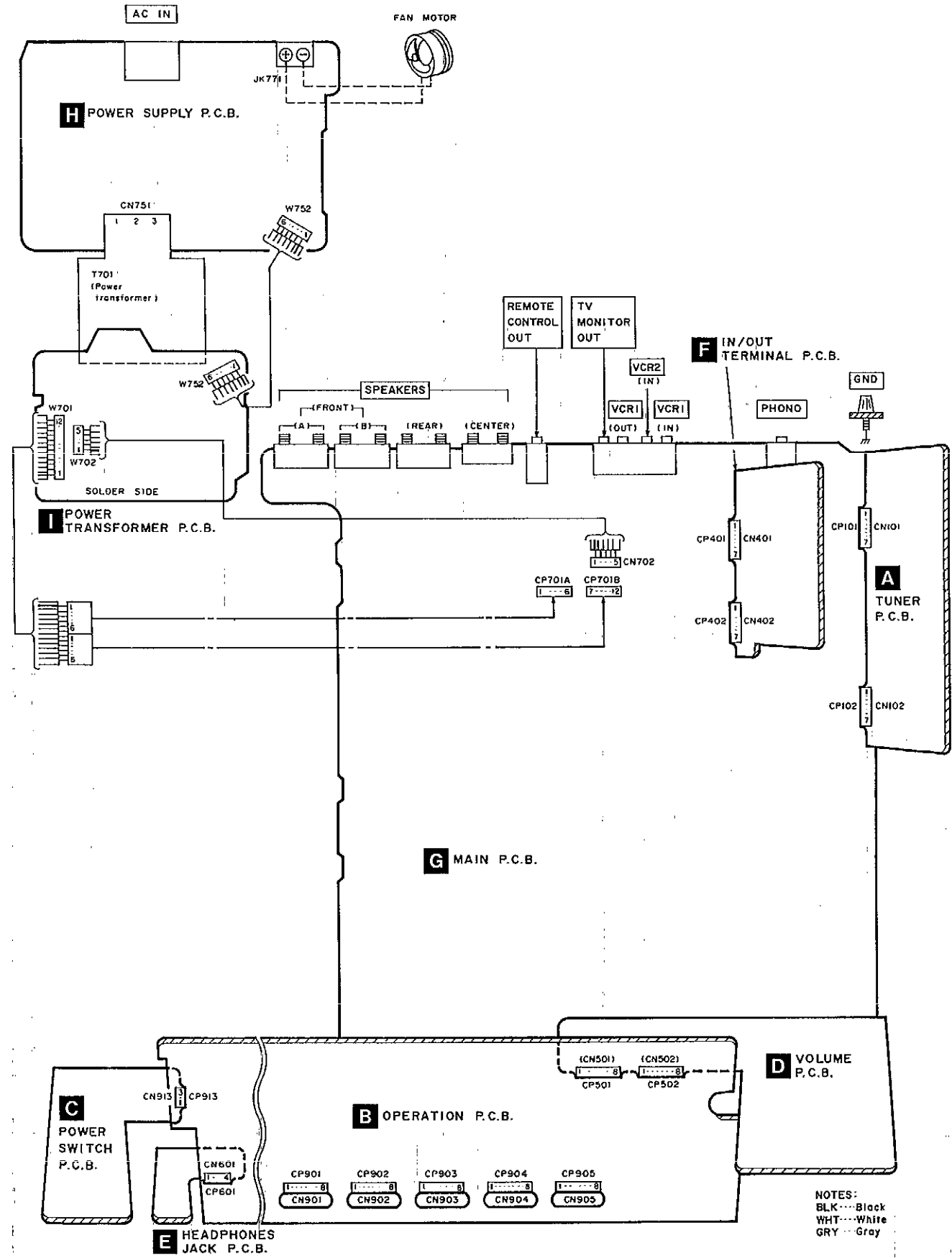
A TUNER P.C.B. For (EG) area.
 (REP1750C-T)



B OPERATION P.C.B. (REP1734B-S... (E,EB)
 REP1734C-S... (EG)
 REP1734D-S... (G,GN))



WIRING CONNECTION DIAGRAM



NOTES:
 BLK...Black
 WHT...White
 GRY...Gray

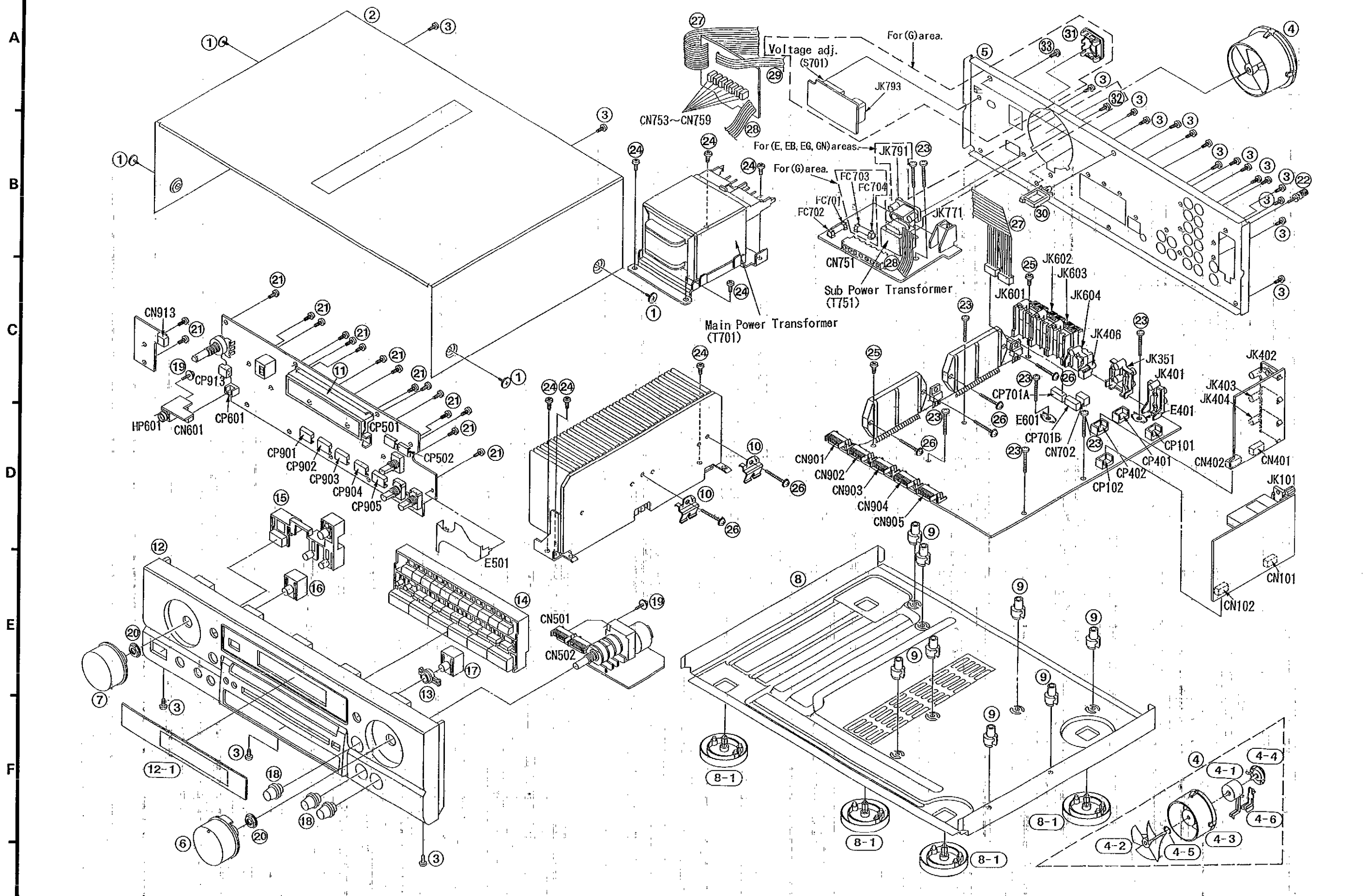
■ TERMINAL FUNCTION OF IC

• IC901 (LC8A012C5524): Microcomputer

Pin No.	Mark	I/O Division	Function
1 2	SPA SPB	O	Speaker select control terminal
3	ST1	O	Level shift control terminal
4	NC	—	Not used, open
5	RELAY	O	Relay control terminal
6	AF MUTE	O	Muting control terminal
7	NC	—	Not used, open
8 15	DG1 DG8	O	Digit signal of FL display
16	S13	O	Segment signal of FL display
17	VDD	I	Power supply terminal
18	VPP	I	Power supply terminal of FL display
19 30	S12 S1	O	Segment signal of FL display
31 32	FWD REV	O	Rotation control terminal of volume motor
33	IN1	—	Not used, connected to resistor
34	FM ST	I	Stereo signal detect terminal
35	SD	I	Received signal detect terminal
36	IFDATAIN	I	Serial data signal
37	LOUDNESS	—	Not used, open
38	ST3	O	Level shift control terminal
39	VIDEO	O	Video selector control terminal
40	CE	O	Chip enable terminal

Pin No.	Mark	I/O Division	Function
41	DATA1	O	Serial data signal
42	OVER LOAD	I	Over load detect terminal
43	CK1	O	Serial clock signal
44	DATA2	O	Serial data signal
45	ST2	O	Level shift control terminal
46	CK2	O	Serial clock signal
47	5-6	O	Remote control terminal
48	SURR. PASS	O	Level shift control terminal
49	NC	—	Test terminal
50	RESET	I	Reset detect terminal
51	XT1	—	Not used, connected to power supply
52	XT2	—	Not used, open
53	VSS	—	GND terminal
54	CF1	I	Crystal oscillator
55	CF2	O	Terminal (6MHz)
56	VDD	I	Power supply terminal
57 80	KEY1 KEY4	I	Key matrix detect terminal
61	STANDBY	I	Power detect terminal
62 63	ENCODE A ENCODE B	I	Not used, connected to power supply
64	REMOCON IN	I	Remote control terminal

■ CABINET PARTS LOCATION



REPLACEMENT PARTS LIST

Notes: *Important safety notice:

 Components identified by Δ mark have special characteristics important for safety.

Furthermore, special parts which have purposes of fire-retardant (resistors), high-quality sound (capacitors), low-noise (resistors), etc. are used. When replacing any of components, be sure to use only manufacturer's specified parts shown in the parts list.

 *The parenthesized indications in the Remarks columns specify the areas. (Refer to the cover page for area.)
 Parts without these indications can be used for all areas.

Ref. No.	Part No.	Part Name & Description	Remarks	Ref. No.	Part No.	Part Name & Description	Remarks
		CABINET AND CHASSIS		32	XTBS3+8JFZ1	SCREW	(E, EB, EG, GN)
				33	XTBS3+8JFZ1	SCREW	(G)
						INTEGRATED CIRCUIT(S)	
1	RHD30035-K1	SCREW		IC101	LA1832A	FM/AM IF AMP./AM OSC	
2	RKMO041A-K	CABINET		IC102	LC7218	PLL FREQ. SYNTHESIZER	
3	XTBS3+8JFZ1	SCREW		IC351	MC14052BCP	VIDEO SELECTOR	
4	REMO020-1	FAN MOTOR UNIT		IC401	NJU7312AL	INPUT SELECTOR	
4-1	MDN-4RB4MRC	MOTOR		IC402	UPC4570C	BUFFER AMP.	
4-2	SHE232-1	FAN		IC451	AN6558-FSG	PHONO EQ AMP.	
4-3	RMQ0209-K	FAN CASE		IC501	BA6218	MOTOR DRIVE	
4-4	RMQ0208-K	FAN CAP		IC511	UPC4570C	TONE AMP.	
4-5	SUS271	SPRING		IC551	UPC4570C	PRE AMP.	
4-6	RMQ0212-K	FAN TERMINAL CAP		IC601, 602	RSN3306A	POWER AMP.	Δ
5	RGRD168G-B2	REAR PANEL	(E)	IC901	LC8A012C5524	MICROCOMPUTER	
5	RGRD168G-C2	REAR PANEL	(EB)	IC1001	LA2785	DOLBY PRO-LOGIC CONTROL	
5	RGRD168G-A	REAR PANEL	(EG)	IC1002	LV1010N	DOLBY PRO-LOGIC DRIVE	
5	RGRD168H-A	REAR PANEL	(G)	IC1003	M5218AP	BUFFER AMP.	
5	RGRD168G-D2	REAR PANEL	(GN)			TRANSISTOR(S)	
6	RGWD163-K	VOLUME KNOB		Q101	2SC2787L	TRANSISTOR	
7	RGWD171-K	TUNING KNOB		Q103, 104	2SC2785FE	TRANSISTOR	
8	RFKJAGX470PK	BOTTOM CHASSIS ASS'Y		Q106	UN411FTA	TRANSISTOR	
8-1	RKA0053-A	FOOT		Q107, 108	2SC3311ARSTA	TRANSISTOR	
9	RKQ0089	P. C. B. SUPPORT		Q191-193	2SC3311ARSTA	TRANSISTOR	(E, EB, G, GN)
10	RMCO158	TRANSISTOR HOLDER		Q351	2SC3311AIRTA	TRANSISTOR	
11	RMNO205	FL HOLDER		Q352, 353	2SA1309AIRTA	TRANSISTOR	
12	RFKGAGX670EK	FRONT PANEL ASS'Y	(E, EB, EG)	Q354	UN4213	TRANSISTOR	
12	RFKGAGX670GK	FRONT PANEL ASS'Y	(G, GN)	Q501, 502	2SJ40CDTA	TRANSISTOR	
12-1	RKWD268D-Q	TRANSPARENT PLATE		Q505, 506	2SC3327-A	TRANSISTOR	
13	RGK0604-N	ORNAMENT BUTTON		Q551, 552	2SC3311AIRTA	TRANSISTOR	
14	RGU0837B-K	SELECTOR BUTTON		Q581, 582	2SA1309AIRTA	TRANSISTOR	(G)
15	RFKNAGX550PA	POWER BUTTON ASS'Y		Q583, 584	2SC3327-A	TRANSISTOR	(G)
16	RFKNAGX550PB	MODE BUTTON ASS'Y		Q585	2SA1309AIRTA	TRANSISTOR	(G)
17	RFKNAGX350PB	MUTING BUTTON ASS'Y		Q601, 602	2SA1309AIRTA	TRANSISTOR	
18	RGWD175-1K	BALANCE/TREBLE/BASS KNOB		Q651	2SA1309AIRTA	TRANSISTOR	
19	RHD26016	SCREW		Q681, 682	2SC3327-A	TRANSISTOR	
20	RHN90001	NUT		Q701	2SD2374PQAU	TRANSISTOR	Δ
21	XTBS26+8J	SCREW		Q703-705	2SC3311AIRTA	TRANSISTOR	Δ
22	SNE2123	GND TERMINAL		Q706	2SC3940AQSTA	TRANSISTOR	Δ
23	XTB3+20JFZ	SCREW		Q707	2SB621AQSTA	TRANSISTOR	Δ
24	XTB3+8JFZ	SCREW		Q708	2SB1548PQAU	TRANSISTOR	Δ
25	XTWS3+8T	SCREW		Q731	2SB1357DEFTA	TRANSISTOR	Δ
26	XTW3+15T	SCREW		Q732, 733	2SC3311AIRTA	TRANSISTOR	Δ
27	RFKEUG95GAK	CONNECTOR ASS'Y (W701) (12P)		Q734	2SD2037DEFTA	TRANSISTOR	Δ
28	RFKEUG95GBK	FLAT CABLE ASS'Y (W752) (6P)					
29	REZO684	FLAT CABLE (5P)					
30	SHR9814	CLAMPER					
31	SJS9231A	AC INLET COVER	(G)				

Ref. No.	Part No.	Part Name & Description	Remarks	Ref. No.	Part No.	Part Name & Description	Remarks
Q735	2SA992EFTA	TRANSISTOR	△	D906	MA165	DIODE	(E, EB, G, GN)
Q736	UN4213	TRANSISTOR		D907, 908	MA165	DIODE	
Q737	2SA992EFTA	TRANSISTOR	△	D917	1SS291TA	DIODE	
Q751	UN421FTA	TRANSISTOR		D921	MA165	DIODE	
Q752	2SC3940AQSTA	TRANSISTOR	△	D922	MA4039MTA	DIODE	△
Q771	2SA1309AIRTA	TRANSISTOR		D923	MA165	DIODE	
Q772	2SA1309A-R	TRANSISTOR		D927, 928	MA165	DIODE	
Q773	2SB621AQSTA	TRANSISTOR	△	D929	LN018304P	L. E. D.	
Q774, 775	2SA1309AIRTA	TRANSISTOR		D1001	MA4100MTA	DIODE	△
Q901	UN4214TA	TRANSISTOR				VARIABLE RESISTOR(S)	
Q902	2SA1309AIRTA	TRANSISTOR	△				
Q903	UN4113TA	TRANSISTOR		VR501	EUWMK3002B15	VOLUME CONTROL	
Q904	UN4214TA	TRANSISTOR		VR502	EVJ02SFA5G15	BALANCE CONTROL	
Q905	2SA1309AIRTA	TRANSISTOR		VR511, 512	EVJYA1F02C15	TONE CONTROL	
Q908	UN4211	TRANSISTOR		VR901	EVQWPF02024B	TUNING CONTROL	
Q1001	2SC3940AQSTA	TRANSISTOR	△			COIL(S)	
		DIODE(S)					
D101	MA4051MTA	DIODE	△	L101	ELESNR68MA	COIL	(E, EB, G, GN)
D102	MA165	DIODE		L101	ELESN1ROMA	COIL	(EG)
D351, 352	MA4056MTA	DIODE	△	L103	ELETR47MA9	COIL	
D353	MA165	DIODE		L105, 106	RLQZB822KT-D	COIL	
D401	MA4075MTA	DIODE	△	L151	SLM1B10M-1M	COIL	
D501	MA165	DIODE		L191	ELESNR68MA	COIL	(E, EB, G, GN)
D553	MA165	DIODE		L191	ELESNR56MA	COIL	(EG)
D581, 582	MA4030MTA	DIODE	(G)	L501, 502	RLQZP1ROKT-Y	COIL	
D601, 602	SB3606501T	DIODE		L601, 602	RLQYR73M	COIL	
D603	MA700	DIODE		L651, 652	RLQYR73M	COIL	
D604-606	MA165	DIODE		L701	SLQZ650MH49	COIL	(E, EB, EG, GN) △
D608	MA165	DIODE		L751	ELEPK101KA	COIL	
D651, 652	SB3606501T	DIODE		L901	RLQZP101KT-Y	COIL	
D654, 655	MA165	DIODE		L1051	ELEPK101KA	COIL	
D656	MA4047MTA	DIODE				TRANSFORMER(S)	
D657	MA165	DIODE					
D701-704	P300D5002T	DIODE	△	T701	RTP1P5E011-V	POWER TRANSFORMER (MAIN)	(E, EB, EG) △
D705, 706	MA4062MTA	DIODE	△	T701	RTP1P5E012-V	POWER TRANSFORMER (MAIN)	(G) △
D707	MA4220MTA	DIODE	△	T701	RTP1P5E013-V	POWER TRANSFORMER (MAIN)	(GN) △
D708	MA4150M	DIODE	△	T751	RTP1I5E003-V	POWER TRANSFORMER (SUB)	(E, EB, EG, GN) △
D721-724	P300DLF	DIODE	△	T751	RTP1I5E005-V	POWER TRANSFORMER (SUB)	(G) △
D725-728	P300DLF	DIODE	(E, EB, EG, G) △			COMPONENT COMBINATION(S)	
D731	MA4220MTA	DIODE	(E, EB, EG) △	Z101	RLA6Z005M-T	COMPONENT COMBINATION	(E, EB, G, GN)
D731	MA4270	DIODE	(G, GN) △	Z101	RLA2Z002M-T	COMPONENT COMBINATION	(EG)
D732, 733	MA165	DIODE		Z102	RL12Z006M-T	COMPONENT COMBINATION	
D751-754	1SR35200TB	DIODE	△	Z891	RCDHC-278N	REMOTE SENSOR	
D755	MA165	DIODE				FILTER(S) AND OSCILLATOR(S)	
D756	MA4068M	DIODE	△				
D771	MA165	DIODE		CF201, 202	RLFFETNGD01L	FILTER	
D772	MA4068M	DIODE	△				
D773	MA165	DIODE					
D901	1SS291TA	DIODE					
D903	MA4056MTA	DIODE	△				

Ref. No.	Part No.	Part Name & Description	Remarks	Ref. No.	Part No.	Part Name & Description	Remarks
CF901	EFOEC6004T4	OSCILLATOR(6MHz)		S981	EVQ21405R	SPEAKER A	
CF1051	EFOEC8004T4	OSCILLATOR(8MHz)		S982	EVQ21405R	SURROUND	
X101	RSXZ456KM07M	OSCILLATOR(456KHz)		S983	EVQ21405R	NUMERIC 3	
X102	RLFDTD01I	OSCILLATOR(10.65MHz)		S984	EVQ21405R	NUMERIC 2	
X103	SVQ49U722-S	OSCILLATOR. (7.2MHz)		S985	EVQ21405R	NUMERIC 1	
		DISPLAY TUBE(S)		S986	EVQ21405R	TUNING MODE	
						RELAY(S)	
FL901	RSL0138-F	DISPLAY TUBE		RL601-603	RSY0013M-0	RELAY	△
		FM FRONT END PACK ASS'Y(S)		RL751	RSY0019-0	RELAY	△
						CONNECTOR(S) AND SOCKET(S)	
Z120	ENV17290G1R	FM FRONT END		CN101, 102	RJU057W007	SOCKET(7P)	
		FUSE(S)		CN401, 402	RJU057W007	SOCKET(7P)	
F1	XBA2C20TBO	FUSE, 250V, 2A	(E, EB, EG, GN) △	CN501, 502	RJU003K008M1	SOCKET(8P)	
F1	XBA2C40TBO	FUSE, 250V, 4A	(G) △	CN601	RJU057W004	SOCKET(4P)	
F2	XBA2C20TBO	FUSE, 250V, 2A	(G) △	CN702	RJS1A6605	CONNECTOR(5P)	
		SWITCH(ES)		CN751	SJS305-1	CONNECTOR(3P)	(E, EB, EG, GN)
				CN751	SJS702-1	CONNECTOR(7P)	(G)
S701	ESD26840A	VOLTAGE SELECTOR	(G) △	CN753-759	RJS1A1101T1	CONNECTOR(1P)	
S946	EVQ21405R	NUMERIC 5		CN901-905	RJU003K008M1	SOCKET(8P)	
S947	EVQ21405R	CENTER LEVEL(-)		CN913	SJS50382JQH	SOCKET(3P)	
S948	EVQ21405R	TEST		CP101, 102	RJT057W007-1	CONNECTOR(7P)	
S949	EVQ21405R	NUMERIC 4		CP401, 402	RJT057W007-1	CONNECTOR(7P)	
S950	EVQ21405R	NUMERIC 6		CP501, 502	RJT003K008-1	CONNECTOR(8P)	
S951	EVQ21405R	CENTER LEVEL(+)		CP601	RJT057W004-1	CONNECTOR(4P)	
S952	EVQ21405R	NUMERIC 7		CP701A	RJT039W06T	CONNECTOR(6P)	
S953	EVQ21405R	REAR LEVEL(-)		CP701B	RJT039W06T	CONNECTOR(6P)	
S954	EVQ21405R	CD		CP901-905	RJT003K008-1	CONNECTOR(8P)	
S955	EVQ21405R	TUNER		CP913	SJT30345JQ	CONNECTOR(3P)	
S956	EVQ21405R	CENTER MODE				JACK(S)	
S957	EVQ21405R	NUMERIC 9					
S958	EVQ21405R	MUTING/LOUDNESS		JK101	RJH4202M	ANT TERMINAL	
S960	EVQ21405R	REAR LEVEL(+)		JK351	SJF3069-3N	TV MONITOR OUT/VIDEO	
S961	EVQ21405R	NUMERIC 8		JK401	SJF3068-7N	PHONO TERMINAL	
S962	EVQ21405R	NUMERIC 0		JK402	SJF3069N	CD IN/REC OUT TERMINAL	
S963	EVQ21405R	DELAY TIME		JK403	SJF3069N	PLAY IN/VCR2 IN TERMINAL	
S964	EVQ21405R	PHONO		JK404	SJF3069N	VCR1 OUT/VCR1 IN TERMINAL	
S966	EVQ21405R	MEMORY		JK406	RJJ33TR01	REMOTE CONTROL OUT TERMINAL	
S968	EVQ21405R	HELP/RESET		JK601	RJR0054	FRONT SPEAKER(A) TERMINAL	
S970	EVQ21405R	TAPE/DCC MONITOR		JK602	RJR0054	FRONT SPEAKER(B) TERMINAL	
S971	EVQ21405R	VCR2		JK603	RJR0054	REAR SPEAKER TERMINAL	
S972	EVQ21405R	VCR1		JK604	SJF5201M-1	CENTER SPEAKER TERMINAL	
S973	EVQ21405R	SPEAKER B		JK771	RJS1A7402-1	FAN MOTOR TERMINAL	
S974	EVQ21405R	FM MODE		JK791	SJS9236	AC INLET	(E, EB, EG) △
S975	EVQ21405R	BAND		JK791	SJSD16	AC INLET	(GN) △
S976	EVQ21405R	DIRECT TUNING		JK793	SJS9231-1B	AC INLET	(G) △
S978	EVQ21405R	POWER		HP601	RJJ63TA01	HEADPHONES JACK	
S980	EVQ21405R	3 STEREO					

Ref. No.	Part No.	Part Name & Description	Remarks				
		GND PLATE(S)					
E401	SNE1004-2	GND PLATE					
E501	RSC0370	GND PLATE					
E601	SNE1004-2	GND PLATE					
		FUSE HOLDER(S)					
FC701, 702	EYF52BC	FUSE HOLDER					
FC703, 704	EYF52BC	FUSE HOLDER	(G)				

RESISTORS AND CAPACITORS

Notes : * Capacity values are in microfarads (μF) unless specified otherwise, P=Pico-farads (pF) F=Farads (F)
 * Resistance values are in ohms, unless specified otherwise, 1K=1,000 (OHM), 1M=1,000k (OHM)

Ref. No.	Part No.	Values & Remarks	Ref. No.	Part No.	Values & Remarks	Ref. No.	Part No.	Values & Remarks
		RESISTORS	R139, 140	ERDS2TJ272T	1/4W 2.7K	R366	ERDS2TJ104	1/4W 100K
			R141, 142	ERDS2TJ102	1/4W 1K	R369, 370	ERDS1FVJ271T	1/2W 270 Δ
			R143, 144	ERDS2TJ222	1/4W 2.2K	R401, 402	ERDS2TJ102	1/4W 1K
R103	ERDS2TJ101	1/4W 100	R145, 146	ERDS2TJ102	1/4W 1K E, EB, G, GN	R405-416	ERDS2TJ102	1/4W 1K
R104	ERDS2TJ102	1/4W 1K	R145, 146	ERDS2TJ561	1/4W 560 EG	R417, 418	ERDS2TJ473	1/4W 47K
R105	ERDS2TJ471	1/4W 470	R147, 148	ERDS2TJ474	1/4W 470K	R419-422	ERDS2TJ104	1/4W 100K
R106	ERDS2TJ224T	1/4W 220K	R149	ERDS2TJ680T	1/4W 68	R423, 424	ERDS2TJ102	1/4W 1K
R107	ERDS2TJ471	1/4W 470	R171, 172	ERDS2TJ102	1/4W 1K	R425-427	ERDS2TJ103	1/4W 10K
R110	ERDS2TJ102	1/4W 1K	R173	ERDS2TJ471	1/4W 470	R440	ERDS1FVJ820T	1/2W 82 Δ
R112	ERDS2TJ104	1/4W 100K	R175	ERDS2TJ102	1/4W 1K	R441, 442	ERDS2TJ473	1/4W 47K
R113	ERDS2TJ103	1/4W 10K	R176	ERDS2TJ391	1/4W 390	R443	ERDS2TJ330	1/4W 33
R114	ERDS2TJ562	1/4W 5.6K	R191	ERDS2TJ103	1/4W 10K E, EB, G, GN	R451, 452	ERDS2TJ224T	1/4W 220K
R115	ERDS2TJ561	1/4W 560	R192	ERDS2TJ122	1/4W 1.2K E, EB, G, GN	R453, 454	ERDS2TJ391	1/4W 390
R116	ERDS2TJ102	1/4W 1K	R193	ERDS2TJ182	1/4W 1.8K E, EB, G, GN	R455, 456	ERDS2TJ563	1/4W 56K
R117	ERDS2TJ473	1/4W 47K	R194	ERDS2TJ122	1/4W 1.2K E, EB, G, GN	R457, 458	ERDS2TJ271	1/4W 270
R118	ERDS2TJ562	1/4W 5.6K	R195	ERDS2TJ222	1/4W 2.2K E, EB, G, GN	R459, 460	ERDS2TJ680T	1/4W 68
R119	ERDS2TJ183T	1/4W 18K	R351, 352	ERDS2TJ471	1/4W 470	R461, 462	ERDS2TJ184T	1/4W 180K
R120	ERDS2TJ473	1/4W 47K	R354	ERDS2TJ472	1/4W 4.7K	R463, 464	ERDS2TJ123	1/4W 12K
R121	ERDS2TJ332	1/4W 3.3K	R355	ERDS2TJ470	1/4W 47	R465, 466	ERDS2TJ563	1/4W 56K
R122	ERDS2TJ272T	1/4W 2.7K	R356	ERDS2TJ152	1/4W 1.5K	R467-470	ERDS2TJ102	1/4W 1K
R124	ERDS2TJ271	1/4W 270	R357	ERDS2TJ470	1/4W 47	R501, 502	ERDS2TJ222	1/4W 2.2K
R125, 126	ERDS2TJ472	1/4W 4.7K	R358	ERDS2TJ471	1/4W 470	R503-506	ERDS2TJ103	1/4W 10K
R127	ERDS2TJ103	1/4W 10K	R359, 360	ERDS2TJ470	1/4W 47	R507	ERDS2TJ153	1/4W 15K
R128	ERDS2TJ820	1/4W 82	R361	ERDS2TJ471	1/4W 470	R508	ERDS1FVJ2R2T	1/2W 2.2 Δ
R129	ERDS2TJ473	1/4W 47K	R362	ERDS2TJ470	1/4W 47	R511, 512	ERDS2TJ471	1/4W 470
R130, 131	ERDS2TJ102	1/4W 1K	R363	ERDS2TJ332	1/4W 3.3K	R513-516	ERDS2TJ474	1/4W 470K
R132	ERDS2TJ103	1/4W 10K	R364	ERDS2TJ561	1/4W 560	R517, 518	ERDS2TJ222	1/4W 2.2K
R133-137	ERDS2TJ102	1/4W 1K	R365	ERDS2TJ332	1/4W 3.3K	R519, 520	ERDS2TJ152	1/4W 1.5K

Ref. No.	Part No.	Values & Remarks	Ref. No.	Part No.	Values & Remarks	Ref. No.	Part No.	Values & Remarks
R521, 522	ERDS2TJ223	1/4W 22K	R633, 634	ERDS2TJ102	1/4W 1K	R734	ERDS2TJ123	1/4W 12K G, GN
R523, 524	ERDS2TJ392T	1/4W 3.9K	R635, 636	ERDS1FVJ271T	1/2W 270 Δ	R735	ERDS2TJ562	1/4W 5.6K
R525, 526	ERDS2TJ222	1/4W 2.2K	R637-640	ERG1SJ101E	1W 100	R736	ERDS2TJ273	1/4W 27K E, EB, EG
R527, 528	ERDS2TJ122	1/4W 1.2K	R641	ERDS2TJ684	1/4W 680K	R736	ERDS2TJ333	1/4W 33K G, GN
R529, 530	ERDS2TJ273	1/4W 27K	R642	ERDS2TJ472	1/4W 4.7K	R737, 738	ERDS1FVJ561T	1/2W 560 Δ
R531, 532	ERDS2TJ332	1/4W 3.3K E, EB, EG, GN	R647, 648	ERDS2TJ221	1/4W 220	R739	ERD25FVJ180T	1/4W 18 Δ
R531, 532	ERDS2TJ222	1/4W 2.2K G	R651, 652	ERDS2TJ102	1/4W 1K	R740	ERDS2TJ393	1/4W 39K
R533, 534	ERDS2TJ222	1/4W 2.2K E, EB, EG, GN	R653, 654	ERDS2TJ563	1/4W 56K	R742	ERDS2TJ393	1/4W 39K
R533, 534	ERDS2TJ272	1/4W 2.7K G	R655, 656	ERDS2TJ182	1/4W 1.8K	R743	ERDS2TJ183T	1/4W 18K E, EB, EG
R543, 544	ERDS2TJ102	1/4W 1K	R657, 658	ERDS2TJ563	1/4W 56K	R743	ERDS2TJ223	1/4W 22K G, GN
R545	ERDS2TJ824	1/4W 820K	R659, 660	ERDS2TJ470	1/4W 47	R744, 745	ERDS1FVJ561T	1/2W 560 Δ
R546	ERDS2TJ332	1/4W 3.3K	R661, 662	ERDS1FVJ100T	1/2W 10 Δ	R754	ERDS2TJ102	1/4W 1K
R551, 552	ERDS2TJ102	1/4W 1K	R663, 664	ERDS2TJ102	1/4W 1K	R772	ERDS2TJ104	1/4W 100K
R553, 554	ERDS2TJ104	1/4W 100K	R665	ERDS2TJ154	1/4W 150K	R773	ERDS2TJ103	1/4W 10K
R555	ERDS2TJ332	1/4W 3.3K	R666	ERDS2TJ184T	1/4W 180K	R774	ERDS2TJ223	1/4W 22K
R556	ERDS2TJ393	1/4W 39K	R667, 668	ERDS2TJ473	1/4W 47K	R775	ERDS2TJ332	1/4W 3.3K
R557	ERDS2TJ471	1/4W 470	R669	ERDS2TJ223	1/4W 22K	R776	ERDS1FVJ220T	1/2W 22 Δ
R558	ERDS2TJ821	1/4W 820	R670	ERD25FJ220	1/4W 22 Δ	R777	ERDS2TJ220T	1/4W 22
R559, 560	ERDS2TJ104	1/4W 100K	R671	ERDS2TJ183T	1/4W 18K	R778	ERDS2TJ222	1/4W 2.2K
R561	ERDS2TJ332	1/4W 3.3K	R672	ERDS2TJ124T	1/4W 120K	R779	ERDS2TJ103	1/4W 10K
R562	ERDS2TJ272T	1/4W 2.7K	R673	ERDS2TJ684	1/4W 680K	R780, 781	ERDS2TJ333	1/4W 33K
R564-566	ERDS2TJ102	1/4W 1K	R674, 675	ERDS2TJ154	1/4W 150K E, EB, EG	R782	ERDS2TJ153	1/4W 15K
R567	ERDS2TJ474	1/4W 470K	R674, 675	ERDS2TJ563	1/4W 56K G, GN	R783	ERDS2TJ103	1/4W 10K
R570	ERDS2TJ103	1/4W 10K	R676	ERDS2TJ223	1/4W 22K	R784	ERDS2TJ335T	1/4W 3.3M
R571	ERDS2TJ332	1/4W 3.3K	R677	ERDS2TJ103	1/4W 10K	R791-796	ERDS2TJ223	1/4W 22K
R572	ERDS2TJ471	1/4W 470	R678	ERDS1FVJ271T	1/2W 270 Δ	R797	ERDS2TJ682T	1/4W 6.8K
R575	ERDS2TJ102	1/4W 1K	R681-684	ERDS1FVJ560T	1/2W 56 Δ	R901	ERDS2TJ102	1/4W 1K
R581, 582	ERDS2TJ471	1/4W 470	R689-694	ERDS2TJ270T	1/4W 27	R903-911	ERDS2TJ104	1/4W 100K
R583-586	ERDS2TJ102	1/4W 1K G	R695, 696	ERDS2TJ102	1/4W 1K	R912	ERDS2TJ102	1/4W 1K
R587, 588	ERDS2TJ222	1/4W 2.2K G	R697, 698	ERDS2TJ221	1/4W 220	R913, 914	ERDS2TJ104	1/4W 100K
R589	ERDS2TJ122	1/4W 1.2K G	R699	ERDS2TJ332	1/4W 3.3K	R920	ERDS2TJ271	1/4W 270
R590	ERDS2TJ472	1/4W 4.7K G	R703, 704	ERDS1FVJ3R9T	1/2W 3.9 Δ	R921	ERDS2EJ121	1/4W 120
R591, 592	ERDS2TJ222	1/4W 2.2K G	R705	ERDS2TJ472	1/4W 4.7K	R922	ERDS2TJ472	1/4W 4.7K
R601, 602	ERDS2TJ102	1/4W 1K	R706	ERDS2TJ102	1/4W 1K	R923	ERDS2TJ102	1/4W 1K
R603, 604	ERDS2TJ563	1/4W 56K	R709	ERD25FVJ221T	1/4W 220 Δ	R926	ERDS2TJ122	1/4W 1.2K
R605, 606	ERDS2TJ182	1/4W 1.8K	R712	ERDS2TJ472	1/4W 4.7K	R927	ERDS2TJ181T	1/4W 180
R607, 608	ERDS2TJ563	1/4W 56K	R713, 714	ERDS2TJ1R5T	1/4W 1.5	R928	ERDS2TJ222	1/4W 2.2K
R609, 610	ERDS2TJ470	1/4W 47	R715	ERDS2TJ752T	1/4W 7.5K	R929	ERDS2TJ562	1/4W 5.6K
R611, 612	ERDS1FVJ100T	1/2W 10 Δ	R716	ERDS2TJ682T	1/4W 6.8K	R930, 931	ERDS2TJ101	1/4W 100
R613, 614	ERDS2TJ102	1/4W 1K	R717	ERDS1FVJ220T	1/2W 22 Δ	R946-949	ERDS2TJ103	1/4W 10K
R615	ERDS2TJ184T	1/4W 180K	R718	ERDS2TJ182	1/4W 1.8K	R950	ERDS2TJ102	1/4W 1K
R616	ERDS2TJ154	1/4W 150K	R721	ERDS1FVJ4R7T	1/2W 4.7 Δ	R951	ERDS2TJ122	1/4W 1.2K
R617, 618	ERDS2TJ473	1/4W 47K	R722	ERD25FJ101	1/4W 100 Δ	R952	ERDS2TJ152	1/4W 1.5K
R619	ERDS2TJ223	1/4W 22K	R723	ERDS2TJ222	1/4W 2.2K	R953	ERDS2TJ182	1/4W 1.8K
R620	ERD25FJ220	1/4W 22 Δ	R724	ERDS1FVJ6R8T	1/2W 6.8 Δ	R954	ERDS2TJ222	1/4W 2.2K
R621	ERDS2TJ183T	1/4W 18K	R725	ERDS2TJ152	1/4W 1.5K	R955	ERDS2TJ332	1/4W 3.3K
R622	ERDS2TJ124T	1/4W 120K	R727	ERDS1FVJ3R3T	1/2W 3.3 Δ	R956	ERDS2TJ472	1/4W 4.7K
R623	ERDS2TJ684	1/4W 680K	R731	ERD25FVJ180T	1/4W 18 Δ	R957	ERDS2TJ682T	1/4W 6.8K
R624, 625	ERDS2TJ154	1/4W 150K E, EB, EG	R732	ERDS2TJ123	1/4W 12K E, EB, EG	R958	ERDS2TJ123	1/4W 12K
R624, 625	ERDS2TJ563	1/4W 56K G, GN	R732	ERDS2TJ183T	1/4W 18K G, GN	R960	ERDS2TJ102	1/4W 1K
R628-630	ERDS2TJ223	1/4W 22K	R733	ERDS2TJ682T	1/4W 6.8K	R961	ERDS2TJ122	1/4W 1.2K
R631, 632	ERDS2TJ103	1/4W 10K	R734	ERDS2TJ103	1/4W 10K E, EB, EG	R962	ERDS2TJ152	1/4W 1.5K

Ref. No.	Part No.	Values & Remarks	Ref. No.	Part No.	Values & Remarks	Ref. No.	Part No.	Values & Remarks
R963	ERDS2TJ182	1/4W 1.8K	C107	ECBT1H473ZF5	50V 0.047U	C427, 428	ECBT1H221KB5	50V 220P
R964	ERDS2TJ222	1/4W 2.2K	C108	ECBT1H100JC5	50V 10P E, EB, G, GN	C431, 432	ECEA1CKA100B	16V 10U
R965	ERDS2TJ332	1/4W 3.3K	C108	ECBT1H8R2KC5	50V 8.2P EG	C440	ECBT1E103ZF	25V 0.01U
R966	ERDS2TJ472	1/4W 4.7K	C109, 110	ECBT1C103NS5	16V 0.01U	C451, 452	ECEA1VKA4R7B	35V 4.7U
R967	ERDS2TJ682T	1/4W 6.8K	C111	ECEA1EKA4R7B	25V 4.7U	C453, 454	ECBT1H100JC5	50V 10P
R968	ERDS2TJ123	1/4W 12K	C112	ECBT1C103NS5	16V 0.01U	C455, 456	ECBT1H102KB5	50V 1000P
R970	ERDS2TJ102	1/4W 1K	C113	ECBT1H102KB5	50V 1000P	C457, 458	ECEA1AKA330B	10V 33U
R971	ERDS2TJ122	1/4W 1.2K	C114	ECEA1HKA3R3B	50V 3.3U	C459, 460	ECFR1E223KR	25V 0.022U
R972	ERDS2TJ152	1/4W 1.5K	C115	ECEA1EKA4R7B	25V 4.7U	C461, 462	ECFR1E682KR	25V 6800P
R973	ERDS2TJ182	1/4W 1.8K	C116	ECBT1C822MS5	16V 8200P	C463, 464	ECEA1VKA4R7B	35V 4.7U
R974	ERDS2TJ222	1/4W 2.2K	C117	ECQB1H471JF3	50V 470P	C465, 466	ECBT1E103ZF	25V 0.01U
R975	ERDS2TJ332	1/4W 3.3K	C118, 119	ECQB1H103JF3	50V 0.01U	C469, 470	ECBT1H181KB5	50V 180P
R976	ERDS2TJ472	1/4W 4.7K	C120, 121	ECEA1HKA010B	50V 1U	C501, 502	ECFR1E333KR	25V 0.033U
R977	ERDS2TJ682T	1/4W 6.8K	C122	ECEA1HKA2R2B	50V 2.2U	C503, 504	ECEA0JKA101B	6.3V 100U
R978	ERDS2TJ123	1/4W 12K	C123	ECEA1HKA010B	50V 1U	C505, 506	ECFR1E104KR	25V 0.1U
R980	ERDS2TJ102	1/4W 1K	C124	ECBT1H102KB5	50V 1000P	C511, 512	ECEA1HKA3R3B	50V 3.3U
R981	ERDS2TJ122	1/4W 1.2K	C125	ECBT1H150JC5	50V 15P	C513, 514	ECBT1H150J5	50V 15P
R982	ERDS2TJ152	1/4W 1.5K	C126	ECBT1H104ZF5	50V 0.1U	C515, 516	ECBT1H221KB5	50V 220P
R983	ERDS2TJ182	1/4W 1.8K	C127	ECEA1CKA220B	16V 22U	C517, 518	ECBT1H330J5	50V 33P
R984	ERDS2TJ222	1/4W 2.2K	C128	ECBT1C103NS5	16V 0.01U	C519-522	ECEA1VKA4R7B	35V 4.7U
R985	ERDS2TJ332	1/4W 3.3K	C129, 130	ECEA0JKA101B	6.3V 100U	C523, 524	ECFR1E123KR	25V 0.012U
R986	ERDS2TJ472	1/4W 4.7K	C131	ECBT1C103NS5	16V 0.01U	C525, 526	ECQV1H683JM3	50V 0.068U
R990	ERDS2TJ153	1/4W 15K	C132	ECBT1H102KB5	50V 1000P	C527, 528	ECFR1E562KR	25V 5600P
R991	ERDS2TJ103	1/4W 10K	C133	ECBT1H150JC5	50V 15P	C529, 530	ECQB1H273JF3	50V 0.027U
R993, 994	ERDS2TJ102	1/4W 1K	C134	ECBT1H180JC5	50V 18P	C531, 532	ECBT1E103ZF	25V 0.01U
R1001, 1002	ERDS2TJ223	1/4W 22K	C135, 136	ECBT1C103KS5	16V 0.01U	C533, 534	ECEA1CKA100B	16V 10U
R1003, 1004	ERDS2TJ102	1/4W 1K	C137, 138	ECBT1H561KB5	50V 560P	C536	ECEA1HKN010B	50V 1U
R1005	ERDS2TJ203T	1/4W 20K	C139, 140	ECQB1H682JF3	50V 6800P	C543, 544	ECBT1C332KR5	16V 3300P
R1007, 1008	ERDS2TJ473	1/4W 47K	C141-144	ECEA1HKA010B	50V 1U	C551, 552	ECEA1HKA3R3B	50V 3.3U
R1009-1011	ERDS2TJ332	1/4W 3.3K	C145	ECBT1H220JC5	50V 22P	C553, 554	ECBT1H101KB5	50V 100P
R1012	ERDS2TJ102	1/4W 1K	C146	ECBT1H331KB5	50V 330P	C555	ECBT1H221KB5	50V 220P
R1051	ERDS2TJ393	1/4W 39K	C147	ECBT1H102KB5	50V 1000P	C556	ECBT1H101KB5	50V 100P
R1052	ERDS2TJ105T	1/4W 1M	C148, 149	ECBT1C103NS5	16V 0.01U	C557, 558	ECBT1E103ZF	25V 0.01U
R1053	ERDS2TJ102	1/4W 1K	C150	ECBT1H104ZF5	50V 0.1U	C559, 560	ECEA1CKA100B	16V 10U
R1055, 1056	ERDS2TJ473	1/4W 47K	C172	ECBT1H331KB5	50V 330P	C561, 562	ECEA1HKA3R3B	50V 3.3U
R1061	ERDS2TJ222	1/4W 2.2K	C173	ECEA1CKA220B	16V 22U	C563	ECEA1HKN010B	50V 1U
R1071, 1072	ERDS2TJ222	1/4W 2.2K	C174	ECEA1CKA101B	16V 100U	C581, 582	ECEA0JKA101B	6.3V 100U G
R1073, 1074	ERDS2TJ392T	1/4W 3.9K E, EB, EG	C175, 176	ECBT1C103NS5	16V 0.01U	C601, 602	ECEA1HKN3R3B	50V 3.3U
R1073, 1074	ERDS2TJ682T	1/4W 6.8K G, GN	C181	ECBT1H471KB5	50V 470P	C603, 604	ECBA1H681KB5	50V 680P
R1075, 1076	ERDS2TJ473	1/4W 47K	C196	ECBT1H102KB5	50V 1000P	C605, 606	RCE1JU220BV	63V 22U
R1201, 1202	ERDS2TJ102	1/4W 1K	C351, 352	ECEA0JKA101B	6.3V 100U	C607, 608	ECCR1H100K5	50V 10P
R1204-1206	ERDS2TJ102	1/4W 1K	C353	ECEA1CKA100B	16V 10U	C609, 610	ECBT1H221KB5	50V 220P
R1207	ERDS2TJ273	1/4W 27K G, GN	C401, 402	ECEA1VKA4R7B	35V 4.7U	C611, 612	ECQV1H473JM3	50V 0.047U
R1208-1216	ERDS2TJ102	1/4W 1K	C403, 404	ECBT1E103ZF	25V 0.01U	C613, 614	ECBA1H681KB5	50V 680P
			C405, 406	ECBT1H101KB5	50V 100P	C615	ECA1HM470B	50V 47U
			C409, 410	ECEA1CKA220B	16V 22U	C616	ECEA2AU100	100V 10U
			C411, 412	ECBT1H101KB5	50V 100P	C617	RCE1JU220BV	63V 22U
			C413, 414	ECEA1CKA100B	16V 10U	C618	ECEA2AN2R2SB	100V 2.2U
C101	ECBT1C103NS5	16V 0.01U	C415, 416	ECBT1E103ZF	25V 0.01U	C621, 622	ECEA2AU100	100V 10U
C103	ECBT1C103NS5	16V 0.01U	C417, 418	ECBT1H101KB5	50V 100P	C631-634	ECKT1H223ZF	50V 0.022U
C104	ECBT1H102KB5	50V 1000P	C419-422	ECBT1H331KB5	50V 330P	C635, 636	ECKR1H103ZF5	50V 0.01U
C105	ECBT1H470J5	50V 47P	C423-426	ECBT1H101KB5	50V 100P	C637	ECKT1H223ZF	50V 0.022U
C106	ECBT1C103NS5	16V 0.01U						

Ref. No.	Part No.	Values & Remarks	Ref. No.	Part No.	Values & Remarks	Ref. No.	Part No.	Values & Remarks
C651, 652	ECEA1HKN3R3B	50V 3. 3U	C921-928	ECBT1H331KB5	50V 330P			
C653, 654	ECBA1H681KB5	50V 680P	C929, 930	ECBT1H101KB5	50V 100P			
C655, 656	RCE1JU220BV	63V 22U	C935	ECEA0JKA101B	6. 3V 100U			
C657, 658	ECCR1H100K5	50V 10P	C936	ECBT1E103ZF	25V 0. 01U			
C659, 660	ECBT1H221KB5	50V 220P	C937-942	ECBT1H101KB5	50V 100P			
C661, 662	ECQV1H473JM3	50V 0. 047U	C944	ECBT1H101KB5	50V 100P			
C663, 664	ECBA1H681KB5	50V 680P	C1001, 1002	ECEA1HKA010B	50V 1U			
C665	ECA1HM470B	50V 47U	C1003, 1004	ECEA1HKA3R3B	50V 3. 3U			
C666	ECEA2AU100	100V 10U	C1005	ECEA1HKA010B	50V 1U			
C667	RCE1JU220BV	63V 22U	C1007	ECFR1E223KR	25V 0. 022U			
C668	ECEA2AN2R2SB	100V 2. 2U	C1008	ECFR1E473KR	25V 0. 047U			
C671, 672	ECEA2AU100	100V 10U	C1009	RCE0JKA221BV	6. 3V 220U			
C681, 682	ECEA1HN100SB	50V 10U	C1010-1013	ECEA1CKA100B	16V 10U			
C685	ECBT1E103ZF	25V 0. 01U	C1014	RCE0JKA221BV	6. 3V 220U			
C691	ECKT1H101KB	50V 100P	C1015, 1016	ECQV1H104JM3	50V 0. 1U			
C701	ECBT1E103ZF	25V 0. 01U	C1017	ECEA1HKA47B	50V 0. 47U			
C702	ECQE2104KF3	250V 0. 1U	C1018	ECEA1VKA4R7B	35V 4. 7U			
C703, 704	ECOS1JP682GZ	63V 6800U E, EB, EG Δ	C1019	ECEA1HKA47B	50V 0. 47U			
C703, 704	ECES75V752UX	75V 7500U G, GN Δ	C1020	ECEA1VKA4R7B	35V 4. 7U			
C705, 706	ECA1VM472B	35V 4700U Δ	C1021	ECEA1HKAR15B	50V 0. 15U			
C707	RCE1VM101BV	35V 100U	C1022	ECEA1HKA3R3B	50V 3. 3U			
C708	ECKR1H103ZF5	50V 0. 01U	C1023, 1024	ECQV1H154JM3	50V 0. 15U			
C709	ECEA1CKA330B	16V 33U	C1025	ECEA1HKA3R3B	50V 3. 3U			
C710	ECBT1E103ZF	25V 0. 01U	C1026	ECEA1HKAR15B	50V 0. 15U			
C711	ECKR1H103ZF5	50V 0. 01U	C1027	ECEA1VKA4R7B	35V 4. 7U			
C712	ECEA1HKA100B	50V 10U	C1028	ECEA1HKA47B	50V 0. 47U			
C713	ECKR1H103ZF5	50V 0. 01U	C1029	ECEA1VKA4R7B	35V 4. 7U			
C714	ECEA1CKA470B	16V 47U	C1030	ECEA1HKA47B	50V 0. 47U			
C721, 722	ECQE2104KF3	250V 0. 1U	C1031, 1032	ECQV1H104JM3	50V 0. 1U			
C731, 732	ECKR1H103ZF5	50V 0. 01U	C1033	ECEA1CKA470B	16V 47U			
C751	ECKWNS102MBM	400V 1000P Δ	C1034	ECQV1H473JM3	50V 0. 47U			
C752	ECKR1H103ZF5	50V 0. 01U	C1035	ECBA1H681KB5	50V 680P			
C753	ECA1EM102B	25V 1000U Δ	C1036-1038	ECBT1H101KB5	50V 100P			
C754	ECBT1E103ZF	25V 0. 01U	C1039	ECEA1CKA101B	16V 100U			
C755	ECEA1CKA470B	16V 47U	C1040	ECEA1CKA100B	16V 10U			
C756	ECBT1E103ZF	25V 0. 01U	C1041	ECBT1E103ZF	25V 0. 01U			
C758	ECEA1AKA101B	10V 100U	C1051	ECEA1HKA2R2B	50V 2. 2U			
C771	ECEA1HKA2R2B	50V 2. 2U	C1052	ECEA1HKA010B	50V 1U			
C772	ECEA1CKA100B	16V 10U	C1053	ECEA1HKA3R3B	50V 3. 3U			
C773	ECBT1E223ZF	25V 0. 022U	C1054	RCE0JKA221BV	6. 3V 220U			
C774	RCE0JKA221BV	6. 3V 220U	C1055	ECEA1HKA010B	50V 1U			
C891	ECFR1E392KR	25V 3900P	C1056	ECFR1E333KR	25V 0. 033U			
C901	ECA0JM102B	6. 3V 1000U	C1057	ECFR1E152KR	25V 1500P			
C902, 903	ECBT1E103ZF	25V 0. 01U	C1058	ECFR1E333KR	25V 0. 033U			
C904	ECA0JM471B	6. 3V 470U	C1059	ECEA1CKA101B	16V 100U			
C906	ECEA0JKA101B	6. 3V 100U	C1060	ECBT1E223ZF	25V 0. 022U			
C908	ECBT1E103ZF	25V 0. 01U	C1062	ECBT1E223ZF	25V 0. 022U			
C909-912	ECEA1HKA220B	50V 22U	C1063	ECEA1CKA101B	16V 100U			
C913, 914	ECEA1VKA100B	35V 10U	C1065	ECBA1H681KB5	50V 680P			
C916	ECEA1HKA010B	50V 1U	C1067, 1068	ECBT1C152KR5	16V 1500P			
C919	ECBT1E103ZF	25V 0. 01U	C1071, 1072	ECEA1HKA3R3B	50V 3. 3U			
C920	ECEA1HKA010B	50V 1U	C1073, 1074	ECEA1CKA100B	16V 10U			

REPLACEMENT PARTS LIST

Notes: *Important safety notice:

Components identified by Δ mark have special characteristics important for safety.

Furthermore, special parts which have purposes of fire-retardant (resistors), high-quality sound (capacitors), low-noise (resistors), etc. are used. When replacing any of components, be sure to use only manufacturer's specified parts shown in the parts list.

*The parenthesized indications in the Remarks columns specify the areas. (Refer to the cover page for area.)

Parts without these indications can be used for all areas.

*Remote Control Ass'y: Supply period for three years from termination of production.

*The "(SF)" mark denotes the standard part.

Ref. No.	Part No.	Part Name & Description	Remarks	Ref. No.	Part No.	Part Name & Description	Remarks
		PACKING MATERIAL		A2	RJA0019-2K	AC POWER SUPPLY CORD	(E, EG, G) Δ (SF)
				A2	VJA0733	AC POWER SUPPLY CORD	(EB) Δ (SF)
				A2	RJA0036-K	AC POWER SUPPLY CORD	(GN) Δ (SF)
P1	RPG2086	PACKING CASE	(EB)	A3	RSA0007	FM INDOOR ANTENNA	
P1	RPG2085	PACKING CASE	(E, EG, G, GN)	A4	RSA0010	AM LOOP ANTENNA SET	
P2	RPND682-2	CUSHION		A4-1	RMND244	AM ANTENNA HOLDER	
P3	RPQ0164	PAD (ACCESSORIES)	(EB, EG, G, GN)	A4-2	XTN3+10AFZ	SCREW	
P4	SPP730	PROTECTION BAG (UNIT)		A5	RQCB0169	SERVICENTER LIST	
P5	RPF0134	PROTECTION BAG (F. B.)		A6	RQA0013	WARRANTY CARD	(E, EB, EG)
P6	RPH0032	PROTECTION SHEET	(EB, GN)	A6	RQX7433ZA	WARRANTY CARD	(GN)
		ACCESSORIES		A7	RAK-SA114XH	REMOTE CONTROL TRANSMITTER	(E, EB, EG)
				A7	RAK-SA704XH	REMOTE CONTROL TRANSMITTER	(G, GN)
A1	RFKSAGX470E	INSTRUCTION MANUAL ASS'Y	(E)	A7-1	RKK0057-K	BATT. COVER (R/C TRANSMITTER)	(E, EB, EG)
A1	RFKSAGX470EB	INSTRUCTION MANUAL ASS'Y	(EB)	A7-1	RKK0020-K	BATT. COVER (R/C TRANSMITTER)	(G, GN)
A1	RFKSAGX470EG	INSTRUCTION MANUAL ASS'Y	(EG)	A8	SJP9009	ATTACHMENT PLUG	(EB) Δ
A1	RFKSAGX670G	INSTRUCTION MANUAL ASS'Y	(G)	A9	RFE0014	ANTENNA PLUG	(G, GN)
A1	RFKSAGX670GN	INSTRUCTION MANUAL ASS'Y	(GN)	A10	RQLA0134	VOLTAGE CAUTION LABEL	(G)
				A11	SJP5213-1	POWER PLUG ADAPTOR	(G) Δ

PACKAGING

